



# Allen Concrete

## Building Products



## Contents

Coping	6
Pier caps	10
Cills	12
Padstones	13
Pre-stressed lintels	18
Bollards	20
Path edging	21



## Contact details

### Surrey

Allen Concrete  
36 - 38 Willow Lane  
Mitcham  
Surrey  
CR4 4NA

**T:** 020 8687 2222

**E:** [sales@allenconcrete.co.uk](mailto:sales@allenconcrete.co.uk)  
[www.allenconcrete.co.uk](http://www.allenconcrete.co.uk)

### Northamptonshire

Allen Concrete  
35 - 37 Rixon Road  
Wellingborough  
Northamptonshire  
NN8 4BA

**T:** 01933 276 848

All dimensions quoted are nominal. Specification may vary according to point of manufacture.

The standard products listed in this brochure are normally available from stock. Units are to our standard pattern and specification. Other types are available on application. To find out more about any of our products or to discuss a specific project with us please get in touch with either of our offices above.

### CE Marking

From 1st July 2013, under the Construction Products Regulation (CPR), it has been mandatory for manufacturers and distributors to declare the performance and apply CE marking to any of their products which are covered by a harmonised European standard (hEN). Any products that do not fall under the scope of a harmonised European standard must not carry CE Marking. For information on CE marked products and Declarations of Performance, please contact one of our Sales Offices.

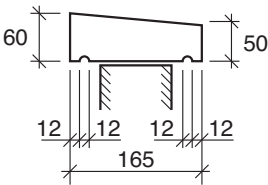
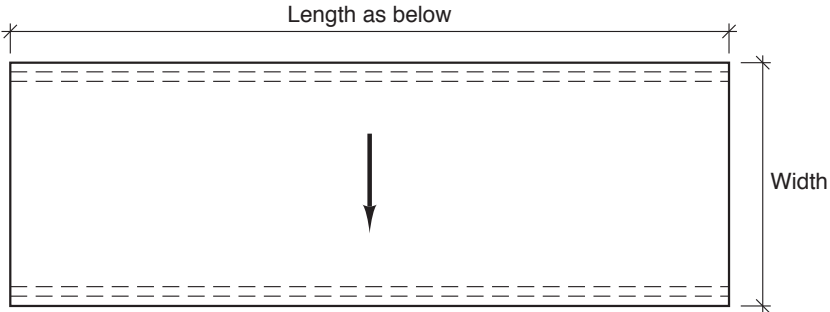
# COPING

## ONCE WEATHERED TWICE THROATED

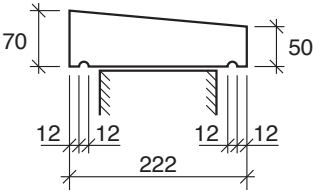


All measurements in mm

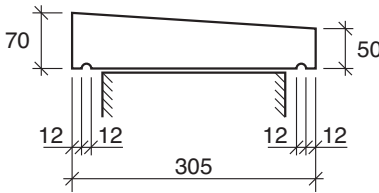
Code	Width	Length	Height
OW1656	165	600	50-60
OW2306	222	600	50-70
OW3056	305	600	50-70
OW3556	355	600	50-75
OW400	405	900	50-75
OW460	460	900	50-75



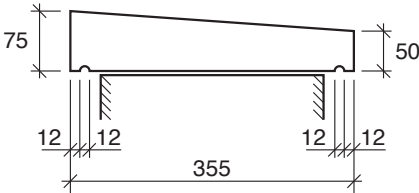
OW1656



OW2306



OW3056



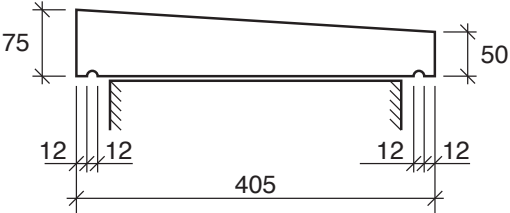
OW3556

# COPING

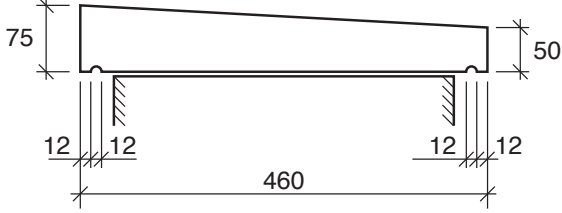
## ONCE WEATHERED TWICE THROATED



All measurements in mm



OW400



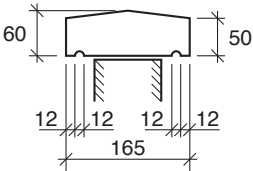
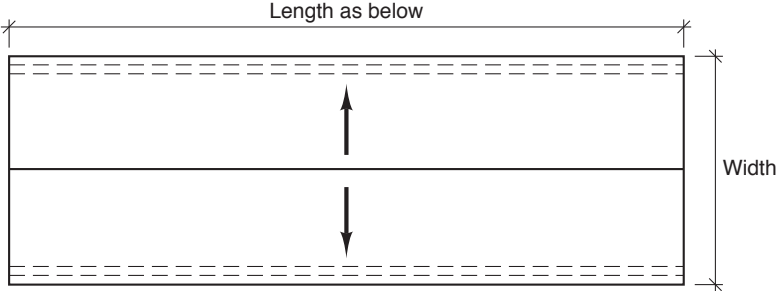
OW460

# COPING

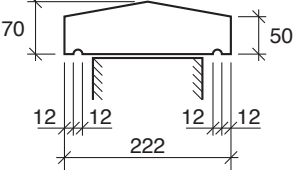
## TWICE WEATHERED TWICE THROATED



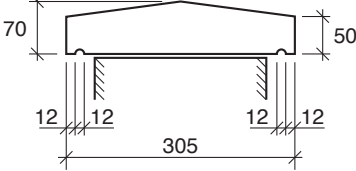
All measurements in mm



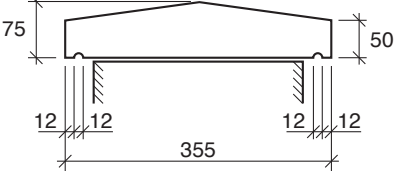
TW1656 600 long



TW2306 600 long



TW3056 600 long

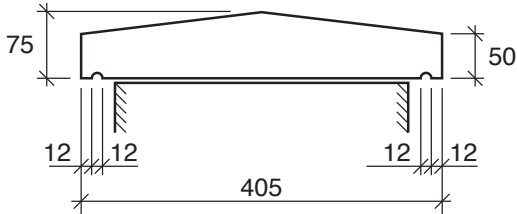


TW3556 600 long

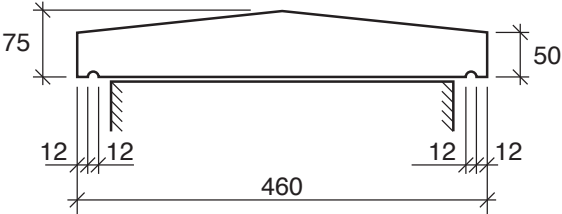
# COPING

## TWICE WEATHERED TWICE THROATED

All measurements in mm



TW400 900 long

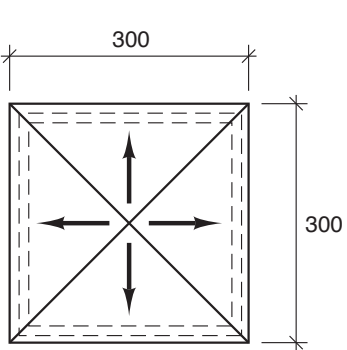


TW460 900 long

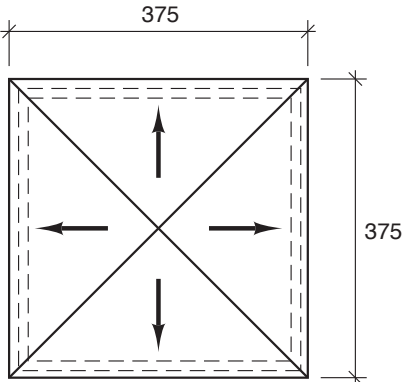
# PIER CAPS



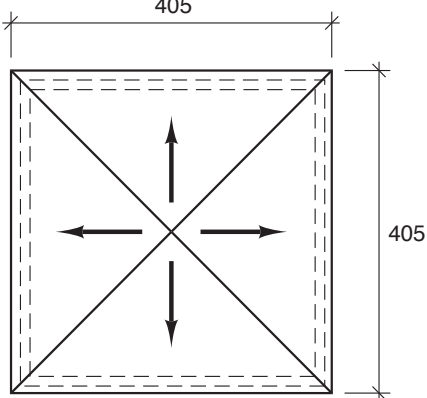
All measurements in mm



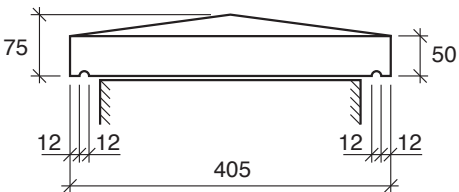
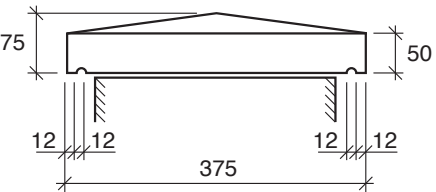
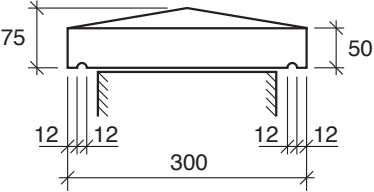
PC300



PC375

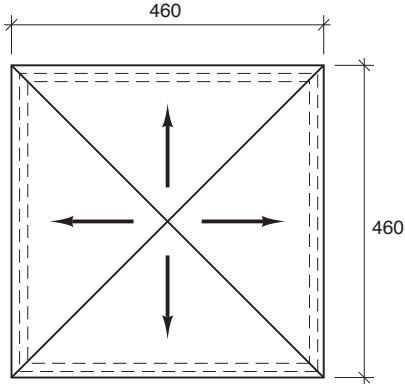


PC405

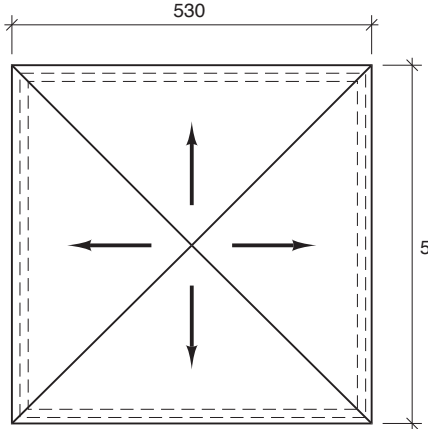
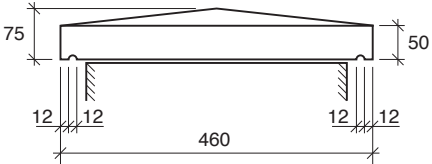


# PIER CAPS

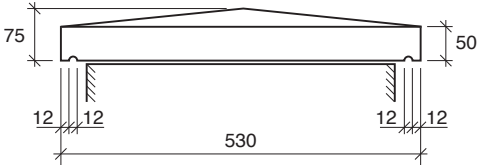
All measurements in mm



PC460



PC530



# CILLS

## NON STOOLED



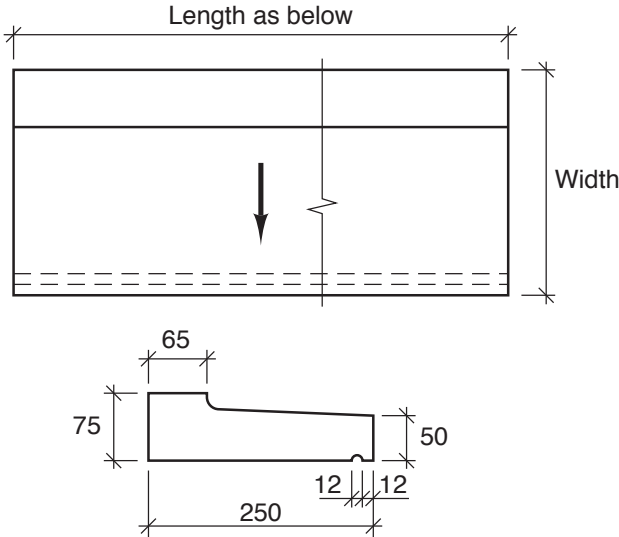
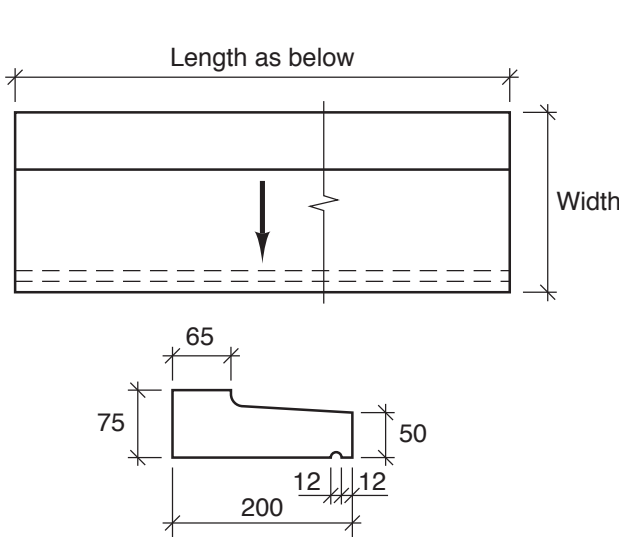
All measurements in mm

### CILL 200 x 75 - 50

Code	Length
S2600	600
S2750	750
S2900	900
S21050	1050
S21200	1200
S21350	1350
S21500	1500
S21800	1800

### CILL 250 x 75 - 50

Code	Length
S25600	600
S25750	750
S25900	900
S251050	1050
S251200	1200
S251350	1350
S251500	1500
S251800	1800

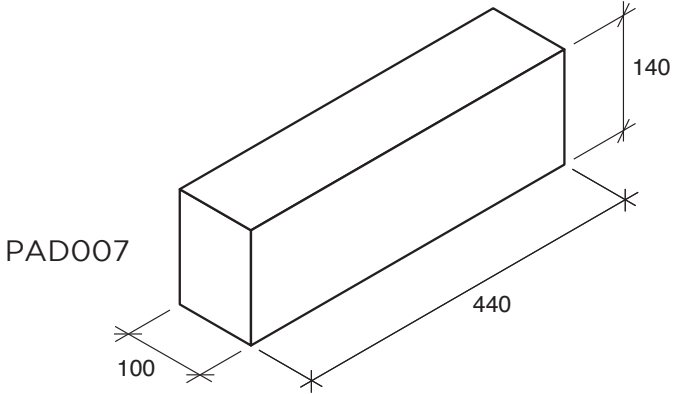
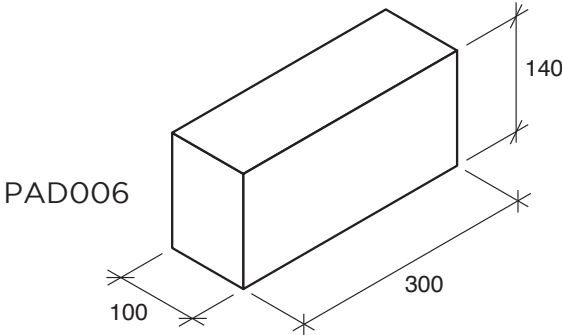
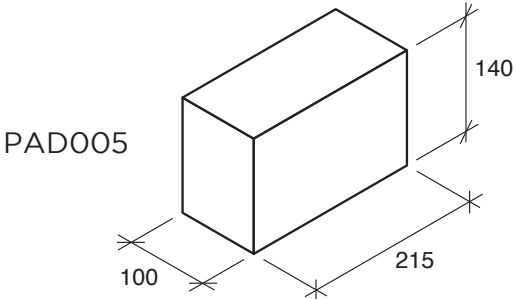


# PADSTONES



All measurements in mm

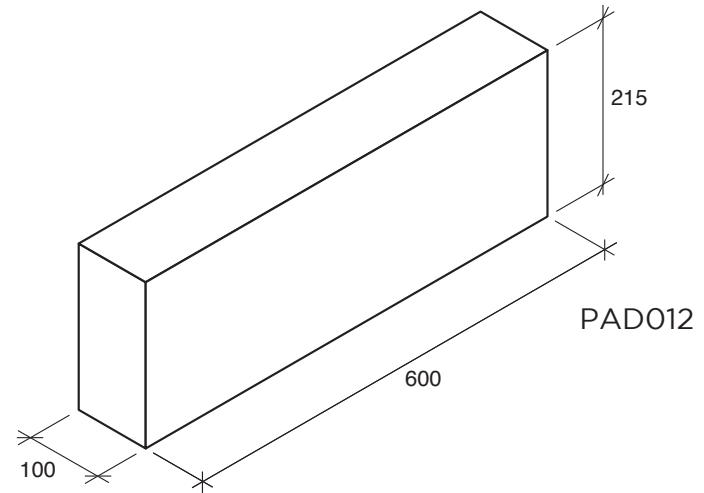
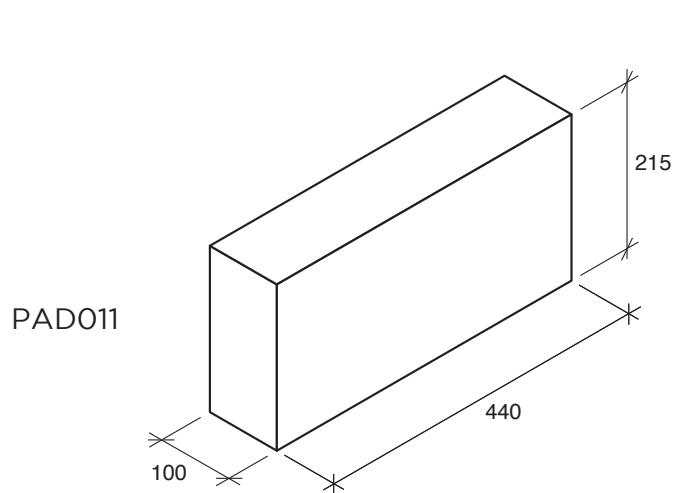
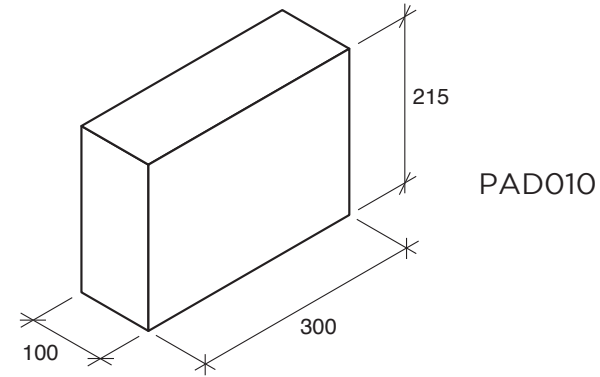
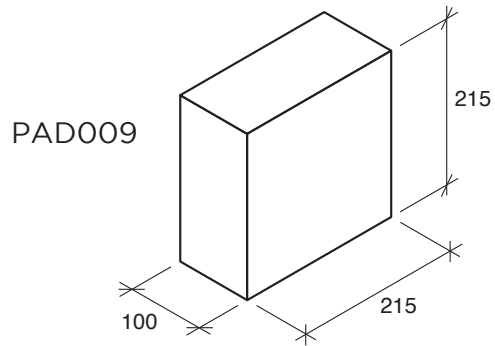
Code	Length	Width	Height
PAD005	215	100	140
PAD006	300	100	140
PAD007	440	100	140



# PADSTONES

All measurements in mm

Code	Length	Width	Height
PAD009	215	100	215
PAD010	300	100	215
PAD011	440	100	215
PAD012	600	100	215

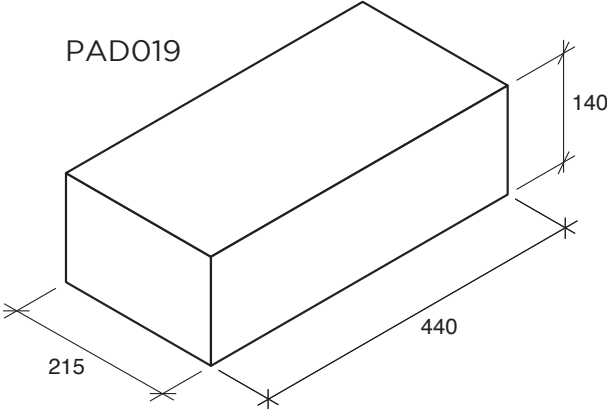
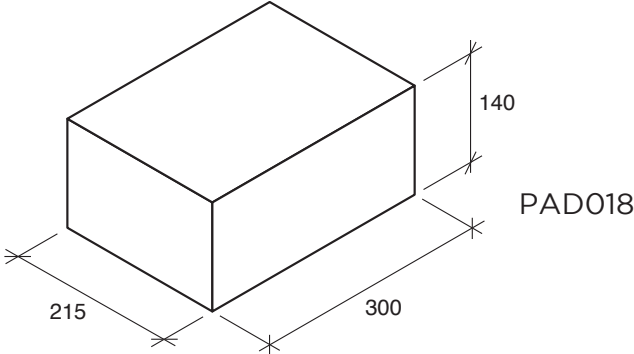
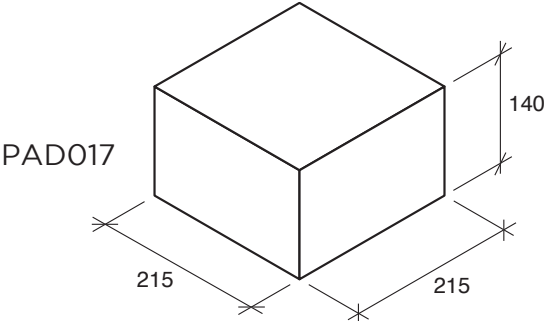


# PADSTONES



All measurements in mm

Code	Length	Width	Height
PAD017	215	215	140
PAD018	300	215	140
PAD019	440	215	140

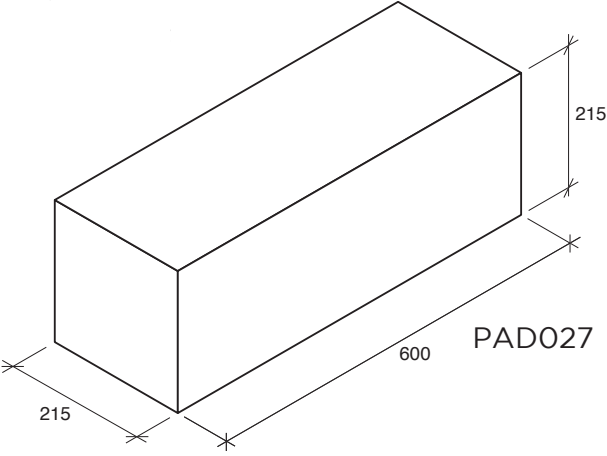
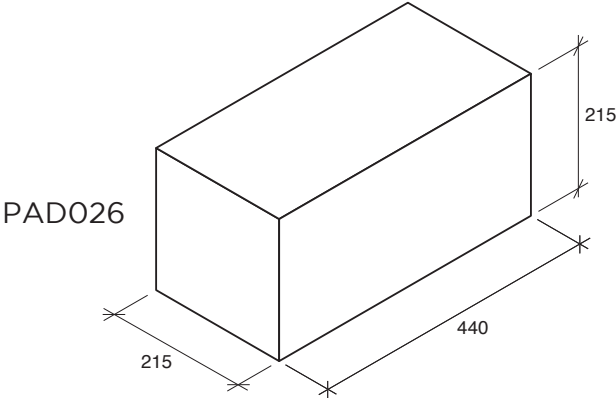
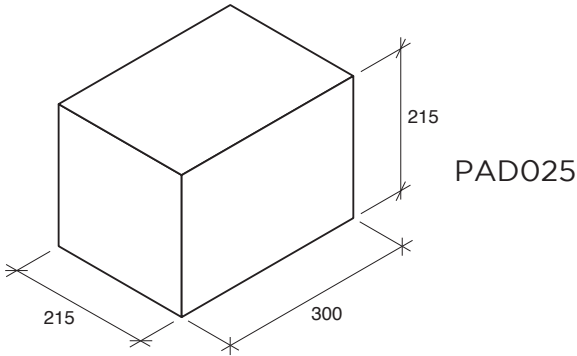


# PADSTONES



All measurements in mm

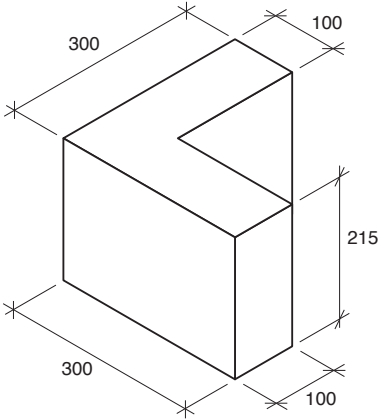
Code	Length	Width	Height
PAD025	300	215	215
PAD026	440	215	215
PAD027	600	215	215



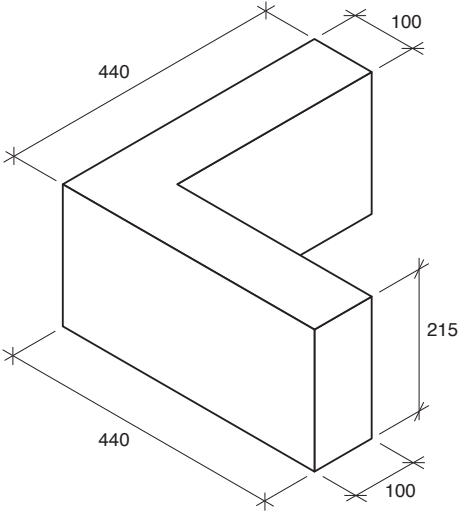
# PADSTONES

All measurements in mm

Code	Length	Width	Depth	Height
PAD029L	300	300	100	215
PAD030L	440	440	100	215



PAD029L



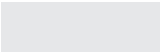
PAD030L

# PRE-STRESSED LINTELS

## PLANK LINTELS 65MM DEEP



All measurements in mm

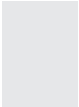
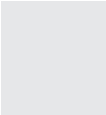
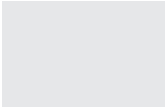
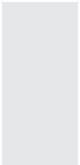
Shape		
Nominal Size	100x65	215x65
600	PL004	PL040
750	PL005	PL041
900	PL006	PL042
1050	PL007	PL043
1200	PL008	PL044
1350	PL009	PL045
1500	PL010	PL046
1800	PL012	PL048
2100	PL014	PL050
2400	PL016	PL052
2700	PL017	PL054

# PRE-STRESSED LINTELS

## BEAM LINTELS



All measurements in mm

Shape				
Nominal Size	100x140	140x140	215x140	100x215
900	RL012	RL047	RL114	RL024
1050	RL013	RL048	RL115	RL025
1200	RL014	RL049	RL116	RL026
1350	RL015	RL050	RL117	RL027
1500	RL016	RL051	RL118	RL028
1800	RL017	RL052	RL119	RL029
2100	RL018	RL053	RL120	RL030
2400	RL019	RL054	RL121	RL031
2700	RL020	RL055	RL122	RL032
3000	RL021	RL056	RL123	RL033
3300	RL022	RL057	RL124	RL034

# BOLLARDS

All measurements in mm

Code	Height	Width
105BO	1065	220 - 150
14BO	1370	230 - 150

105BO



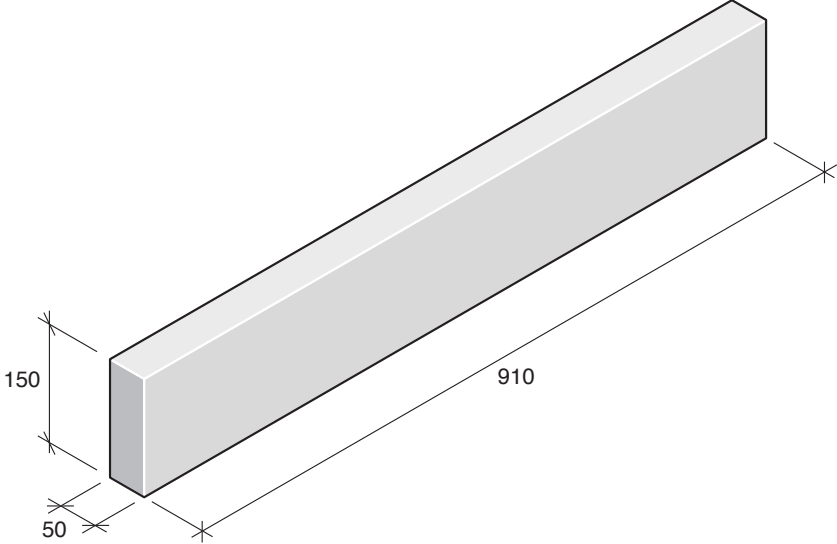
14BO



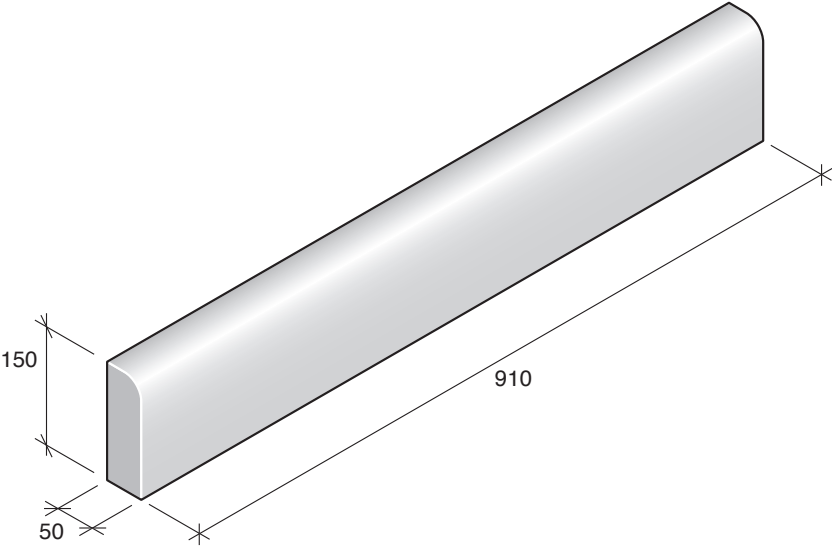
# PATH EDGING



All measurements in mm



ED03 pressed flat top



ED04 pressed bull-nosed top







**Surrey:** Allen Concrete, 36 - 38 Willow Lane, Mitcham, Surrey CR4 4NA **T:** 020 8687 2222

**Northamptonshire:** Allen Concrete, 35 - 37 Rixon Road, Wellingborough, Northamptonshire NN8 4BA **T:** 01933 276 848

**E:** [sales@allenconcrete.co.uk](mailto:sales@allenconcrete.co.uk)

**[www.allenconcrete.co.uk](http://www.allenconcrete.co.uk)**