

Precast Concrete Fencing Products



Contents

Chain Link	6
Straining and Gate Post Types, Chain Link	11
Strained Wire	12
Close Board Fencing	13
Close Board or Palisade Fencing	19
Concrete Post and Panel	24
Slotted Posts - Round Top	26
Spurs	29
Slotted Posts - Pyramid Top	30
Universal Posts	32
Barrel Posts	33

Contact details

Surrey

Allen Concrete
36 - 38 Willow Lane
Mitcham
Surrey
CR4 4NA

T: 020 8687 2222

E: sales@allenconcrete.co.uk
www.allenconcrete.co.uk

Northamptonshire

Allen Concrete
35 - 37 Rixon Road
Wellingborough
Northamptonshire
NN8 4BA

T: 01933 276 848

All dimensions quoted are nominal. Specification may vary according to point of manufacture.

The standard products listed in this brochure are normally available from stock. Units are to our standard pattern and specification. Other types are available on application. To find out more about any of our products or to discuss a specific project with us please get in touch with either of our offices above.

CE Marking

From 1st July 2013, under the Construction Products Regulation (CPR), it has been mandatory for manufacturers and distributors to declare the performance and apply CE marking to any of their products which are covered by a harmonised European standard (hEN). Any products that do not fall under the scope of a harmonised European standard must not carry CE Marking. For information on CE marked products and Declarations of Performance, please contact one of our Sales Offices.

0.9m CHAIN LINK



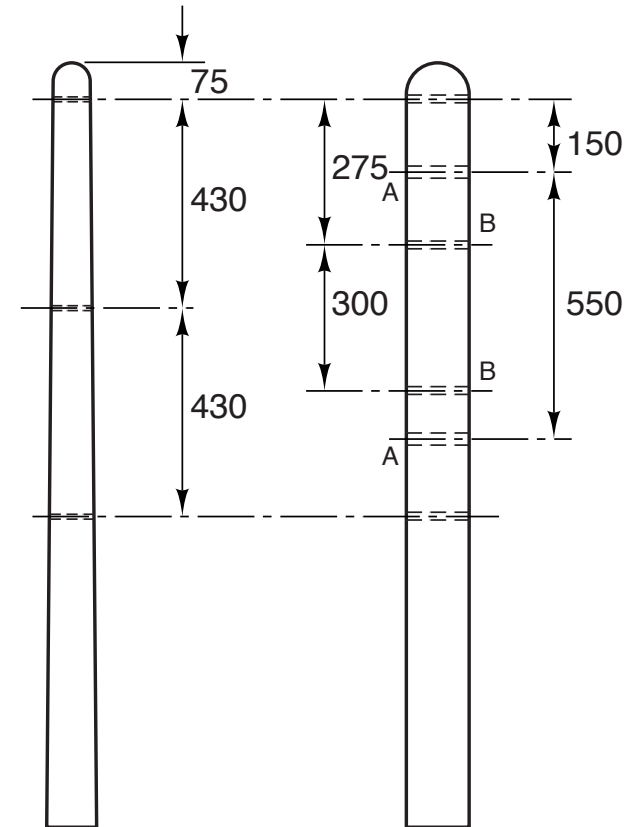
All measurements in mm

POSTS 450 mm IN GROUND

Code	Name	Height	Width	Depth
O9L	intermediate post	1425	100	75

POSTS 600 mm IN GROUND

Code	Name	Height	Width	Depth
O9	intermediate post	1575	100	75
O9T4	straining post	1575	100	100
O94S	strut	1500	75	75



LINE WIRES: 3 No. at 430 mm centres. Intermediate posts 10 mm holes, straining holes 16 mm.

GATE POST HOLING: 2 No. 25 mm gate hanging holes A at 550 mm centres. 2 No. 16 mm gate shutting holes B at 300 mm centres.

STRAINING & GATE POSTS: For details of types available see page 17.

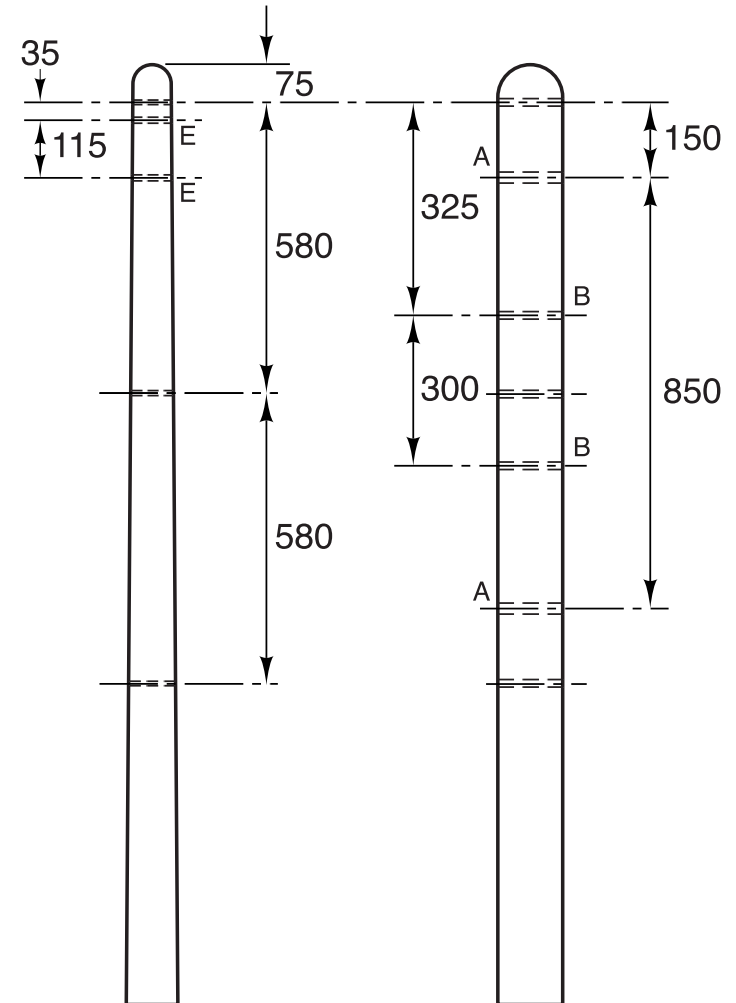
1.2m CHAIN LINK



All measurements in mm

POSTS 600 mm IN GROUND

Code	Name	Height	Width	Depth
12S	strut	1830	100	75
124I	intermediate post	1875	100	75
12T4	straining post	1875	100	100
12S	strut	1830	100	75



LINE WIRES: 3 No. at 580 mm centres. Intermediate posts 10 mm holes, straining holes 16 mm.

GATE POST HOLING: 2 No. 22 mm gate hanging holes A at 850 mm centres. 2 No. 16 mm gate shutting holes B at 300 mm centres.

STRAINING & GATE POSTS: For details of types available see page 17.

1.8m CHAIN LINK

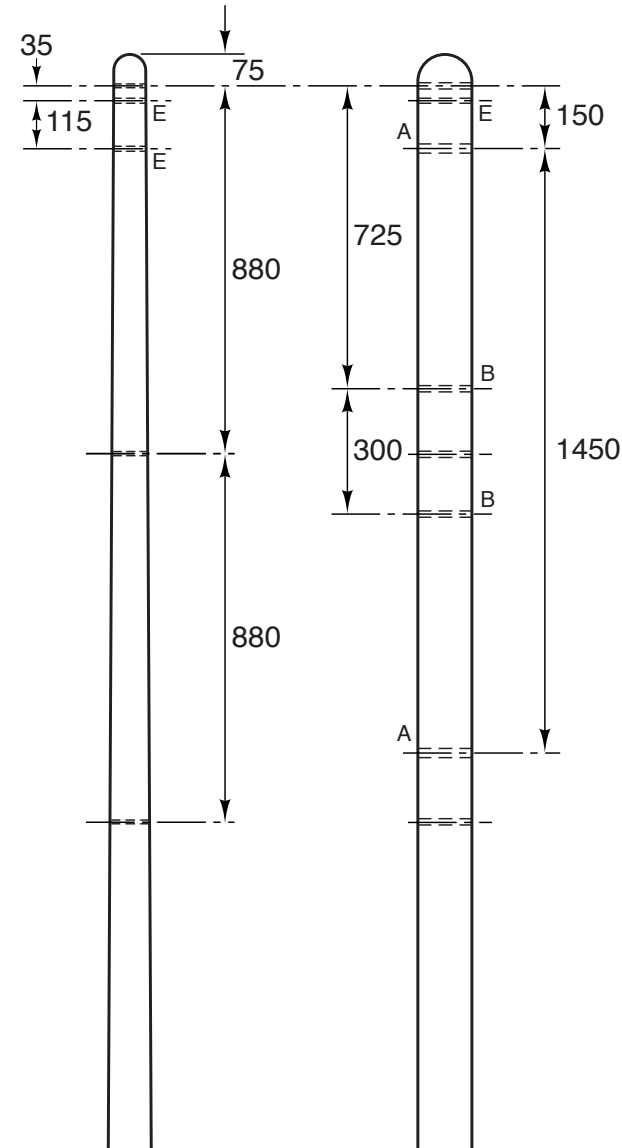
All measurements in mm

POSTS 600 mm IN GROUND

Code	Name	Height	Width	Depth
18L	intermediate post	2475	125	75

POSTS 760 mm IN GROUND

Code	Name	Height	Width	Depth
18	intermediate post	2625	125	75
18T	straining post	2625	125	125
18G	gate post	2625	125	125
18S	strut	2595	100	75



LINE WIRES: 3 No. at 880 mm centres. Intermediate posts 10 mm holes, straining holes 16 mm.

GATE POST HOLING: 2 No. 22 mm gate hanging holes A at 1450 mm centres. 2 No. 16 mm gate shutting holes B at 300 mm centres.

EXTENSION BRACKETS: 2 No. 12 mm holes E at 115 mm centres for steel barbed wire extension brackets. On posts for side hung gates use top hanging hole for lower bracket fixing. Not standard on CORNER and BACK HUNG gate posts.

STRAINING & GATE POSTS: For details of types available see page 17.

1.8m CHAIN LINK AND 3 ROWS BARBED WIRE

All measurements in mm

CRANKED TOP: POSTS 760 mm IN GROUND

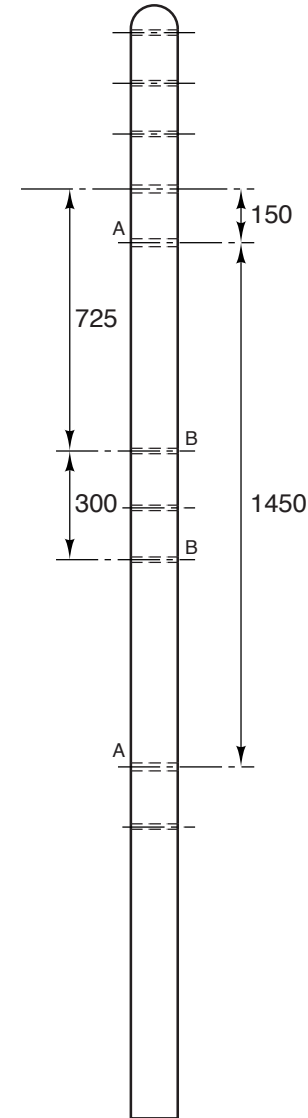
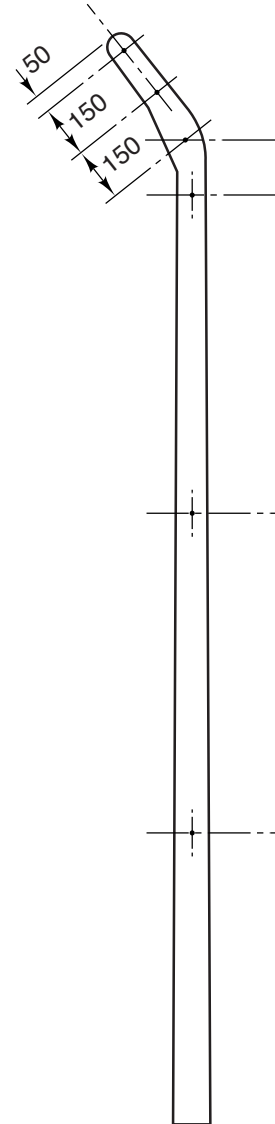
Code	Name	Height	Width	Depth
18C	intermediate post	3075	125	75
18CT	straining post	3075	125	125
18S	strut	2595	100	87

LINE WIRES: 3 No. at 880 mm centres. Intermediate posts 10 mm holes, straining holes 16 mm.

BARBED WIRE: 3 No. at 150 mm centres (140 mm vertical extensions). Intermediate posts 10 mm holes, straining holes 16 mm.

GATE POST HOLING: 2 No. 22 mm gate hanging holes A at 1450 mm centres. 2 No. 16 mm gate shutting holes B at 300 mm centres.

STRAINING & GATE POSTS: For details of types available see page 17.



2.4m CHAIN LINK AND 3 ROWS BARBED WIRE

All measurements in mm

CRANKED TOP: POSTS 760 mm IN GROUND

Code	Name	Height	Width	Depth
24C	intermediate post	3675	125	100
24CT	straining post	3675	150	150
24S	strut	3350	100	100

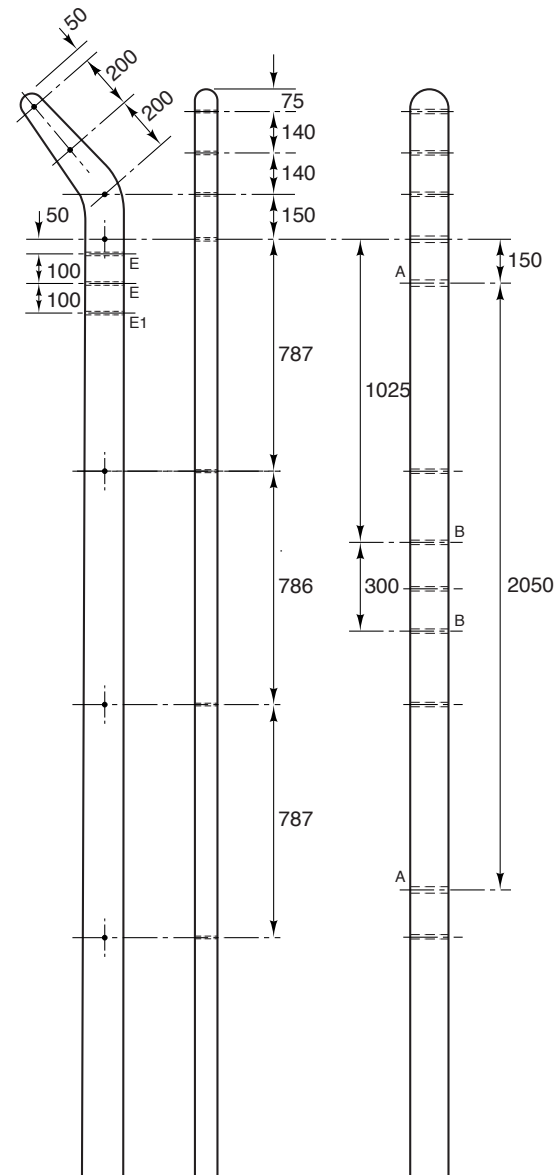
LINE WIRES: 4 No. at 787 mm, 786 mm and 787 mm centres. Intermediate posts 9 mm holes, straining holes 15 mm.

BARBED WIRE: 3 No. at 200 mm centres (140 mm vertical extensions). Intermediate posts 9 mm holes, straining holes 15 mm.

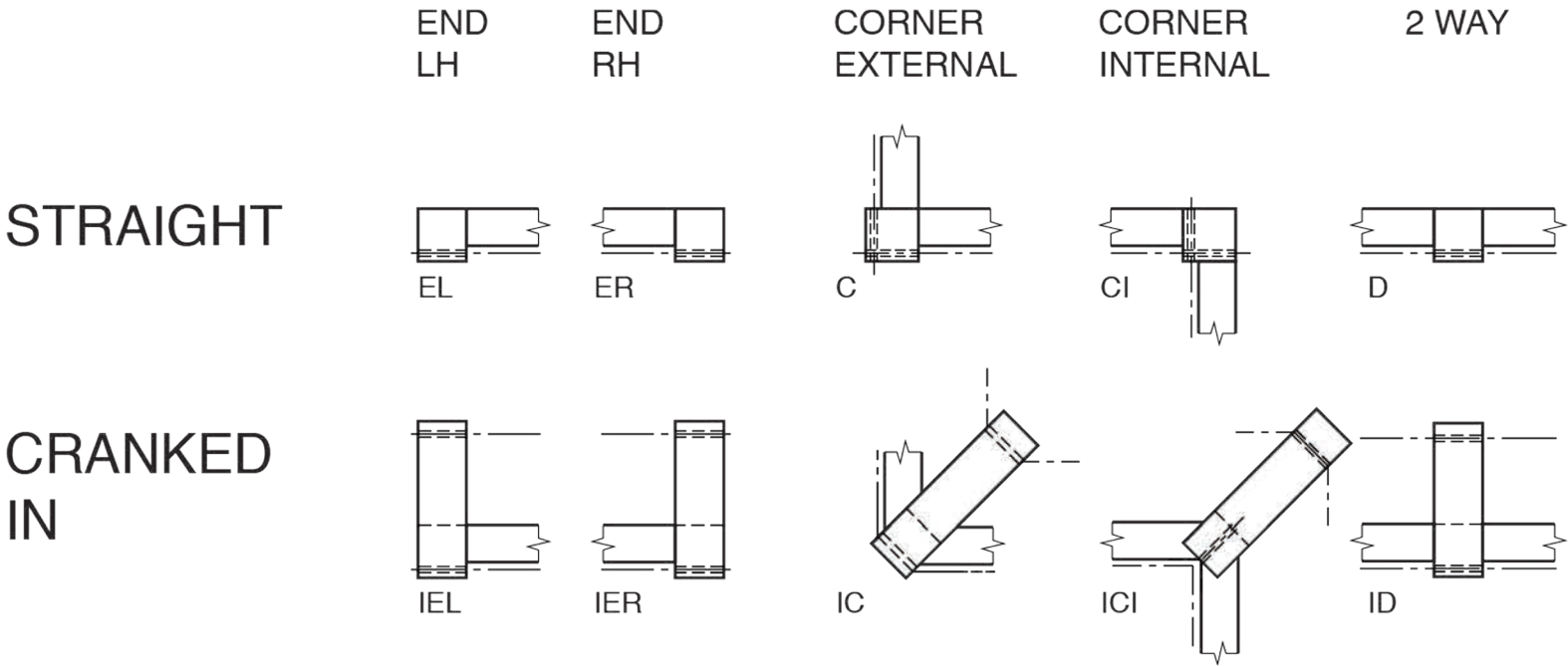
GATE POST HOLING: 2 No. 22 mm gate hanging holes A at 2050 mm centres. 2 No. 15 mm gate shutting holes B at 300 mm centres.

EXTENSION BRACKETS: 2 No. 12 mm holes E at 100 mm centres cranked top intermediate posts, 3 No. 12 mm holes E and E1 at 100 mm centres cranked top straining posts.

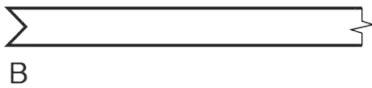
STRAINING & GATE POSTS: For details of types available see page 17.



STRAINING AND GATE POST TYPES, CHAIN LINK



Where angled struts are required for straining posts, specify struts as BIRDSMOUTH



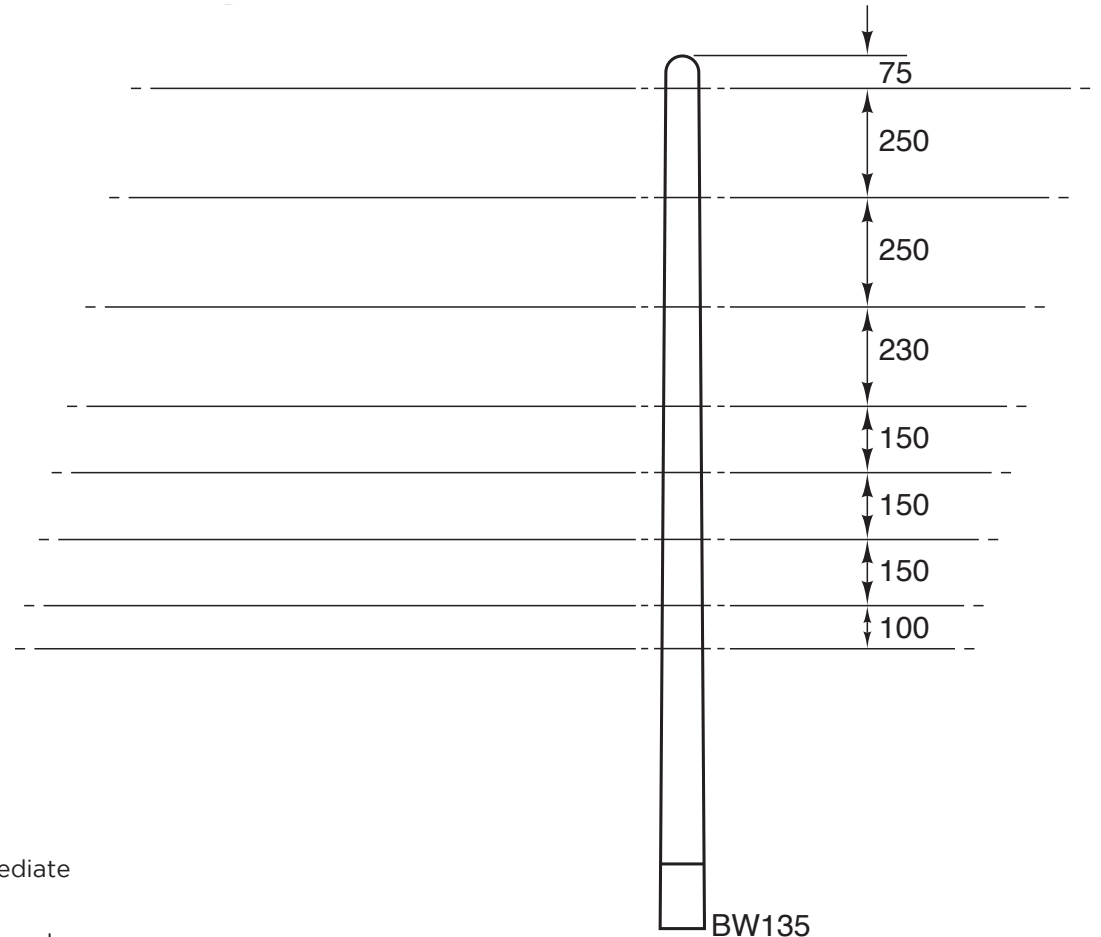
STRAINED WIRE

MULTI WIRE, BRITISH STANDARD SPACING, 250, 250, 230, 150, 150, 150, 100 mm CENTRES



All measurements in mm

Code	Name	Height	Width	Depth
135BW	intermediate post	2025	125	75
135BWT	straining post	2175	125	125
210WS	strut (slotted)	2150	100	100



LINE WIRES: 8 No. at 75, 250, 250, 230, 150, 150, 150, 100 mm centres. Intermediate posts 9 mm holes, straining holes 15 mm, struts slotted.

DEPTH IN GROUND: Choose to suit height of fence required and nature of ground.

CLOSE BOARD FENCING

MORTICED POSTS - ROUND TOP 100 x 100 AND GRAVEL BOARDS



All measurements in mm

POSTS 600 mm IN GROUND

Code	Name	Height	Width	Depth
09MLR	0.9m fence post	1550	100	100
12MLR	1.2m fence post	1850	100	100
14MLR	1.4m fence post	2050	100	100
15MLR	1.5m fence post	2150	100	100

POSTS 680 mm IN GROUND

Code	Name	Height	Width	Depth
18MLR	1.8m fence post	2500	100	100
20MLR	2.0m fence post	2700	100	100
20MLRC	1.8m/2.0m fence corner post	2700	100	100

GRAVEL BOARDS

Code	Name	Height	Width	Depth
188GR	gravel board	1885	150	50
230GR	gravel board	2300	150	50
260GR	gravel board	2600	150	50
288GR	gravel board	2885	150	50
300GR	gravel board	3000	150	50

ARRIS RAILS: Mortices 65 x 25 offset 30 mm from trowelled face of post.

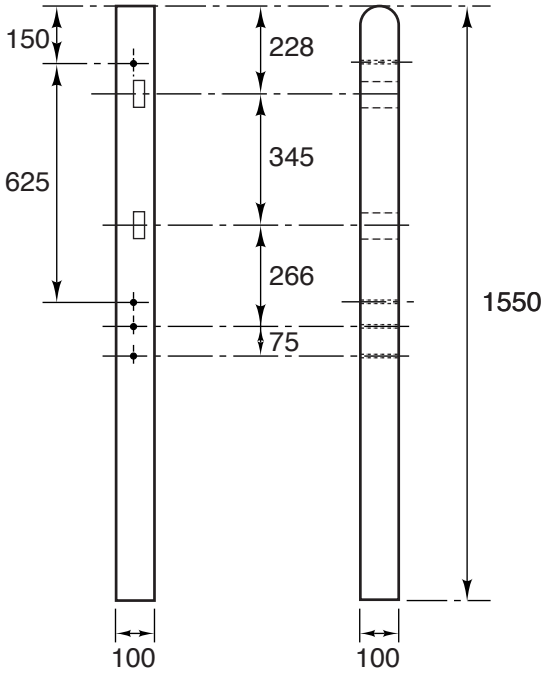
GRAVEL BOARDS: 2 No. 12mm holes on c/l.

FILLETS: 12mm holes provided for attachment of fillets.

CORNER POSTS: Additional half-depth mortices at right angles. Gravel board holes repeated. Dimensions and other details as standard posts.

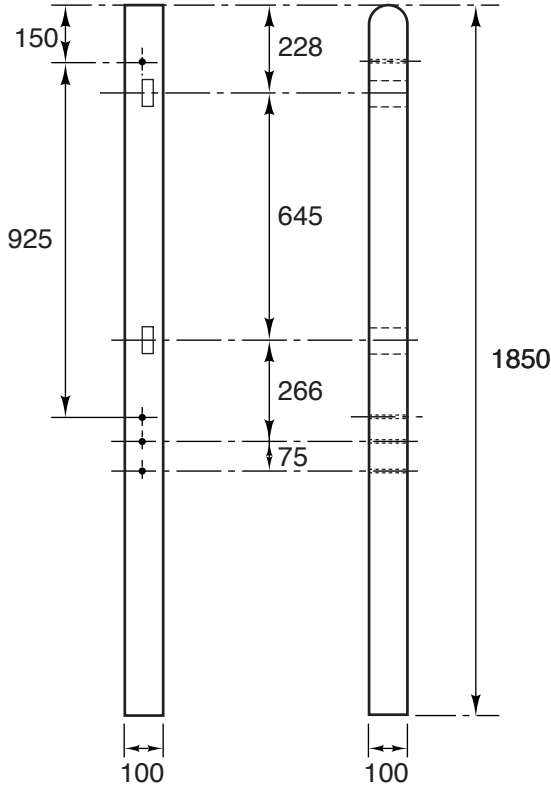
CLOSE BOARD FENCING

MORTICED POSTS - ROUND TOP 100 x 100



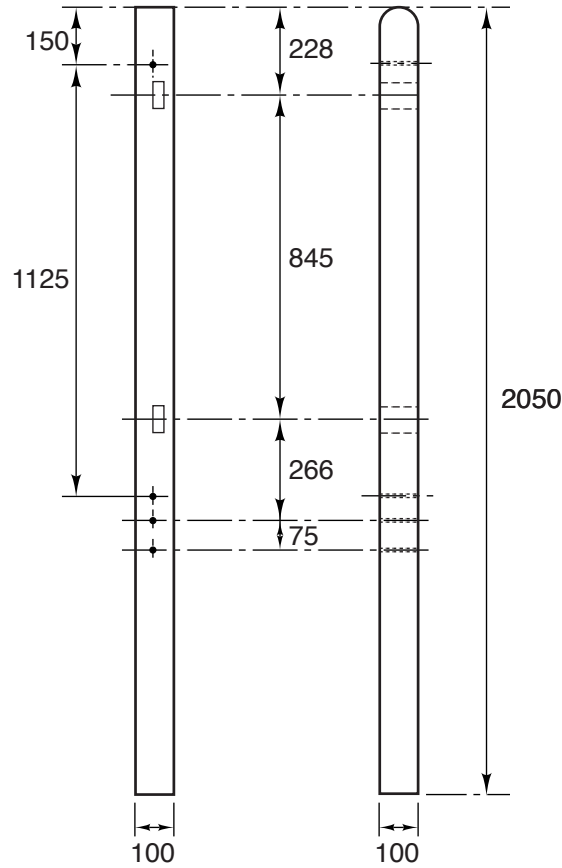
09MLR

0.9m FENCE



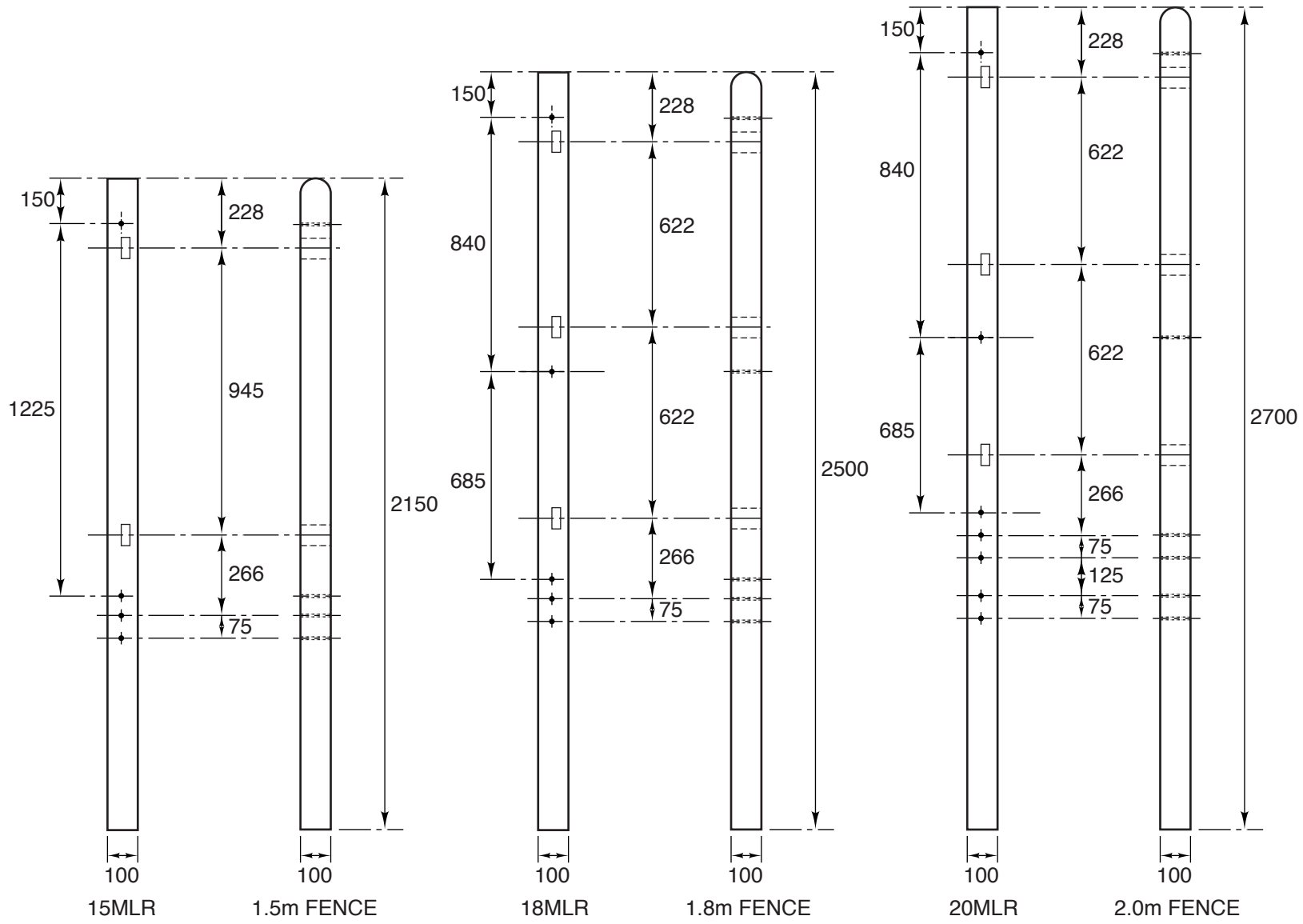
12MLR

1.2m FENCE



14MLR

1.4m FENCE



CLOSE BOARD FENCING

MORTICED POSTS - PYRAMID TOP 100 X 100 AND GRAVEL BOARDS



All measurements in mm

POSTS 600 mm IN GROUND

Code	Name	Height	Width	Depth
09ML4	0.9m fence post	1550	100	100
12ML4	1.2m fence post	1850	100	100
14ML4	1.4m fence post	2050	100	100
15ML4	1.5m fence post	2150	100	100

POSTS 680 mm IN GROUND

Code	Name	Height	Width	Depth
18ML4	1.8m fence post	2500	100	100
20ML4	2.0m fence post	2700	100	100
20ML4C	1.8m/2.0m fence corner post	2700	100	100

GRAVEL BOARDS

Code	Name	Height	Width	Depth
188GR	gravel board	1885	150	50
230GR	gravel board	2300	150	50
260GR	gravel board	2600	150	50
288GR	gravel board	2885	150	50
300GR	gravel board	3000	150	50

ARRIS RAILS: Mortices 65 x 25 on c/l.

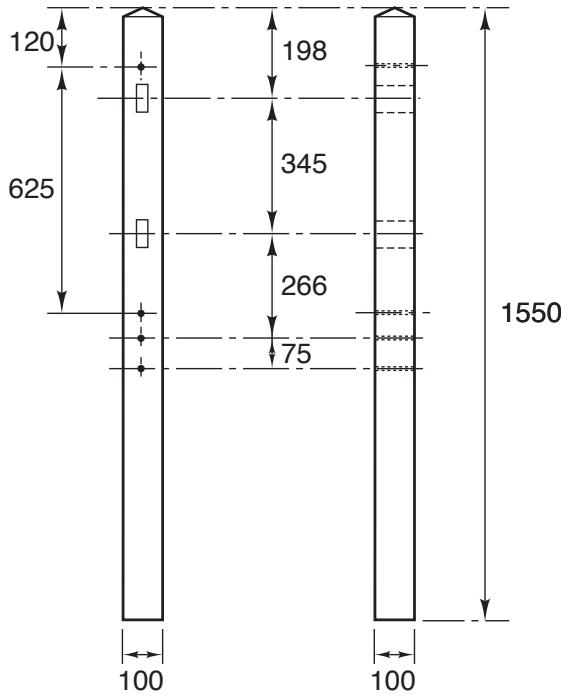
GRAVEL BOARDS: 2 No. 12mm holes on c/l.

FILLETS: 12mm holes provided for attachment of fillets.

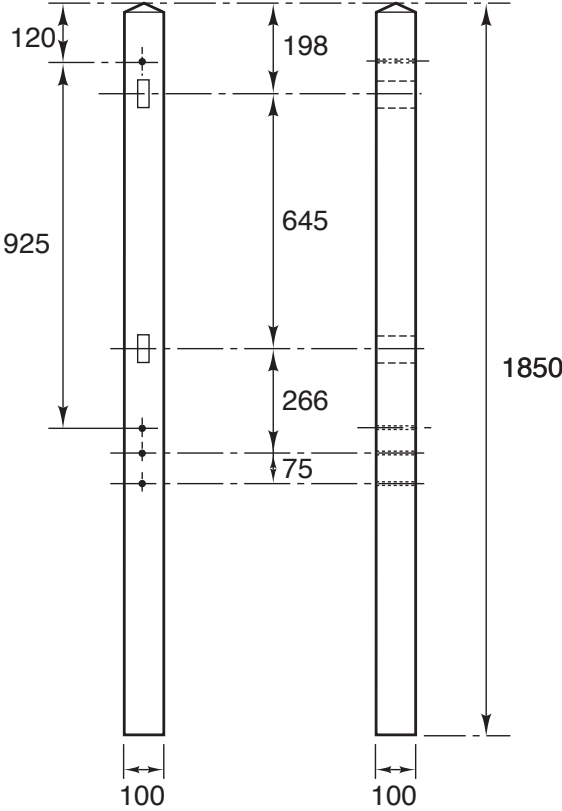
CORNER POSTS: Additional half-depth mortices at right angles. Gravel board holes repeated. Dimensions and other details as standard posts.

CLOSE BOARD FENCING

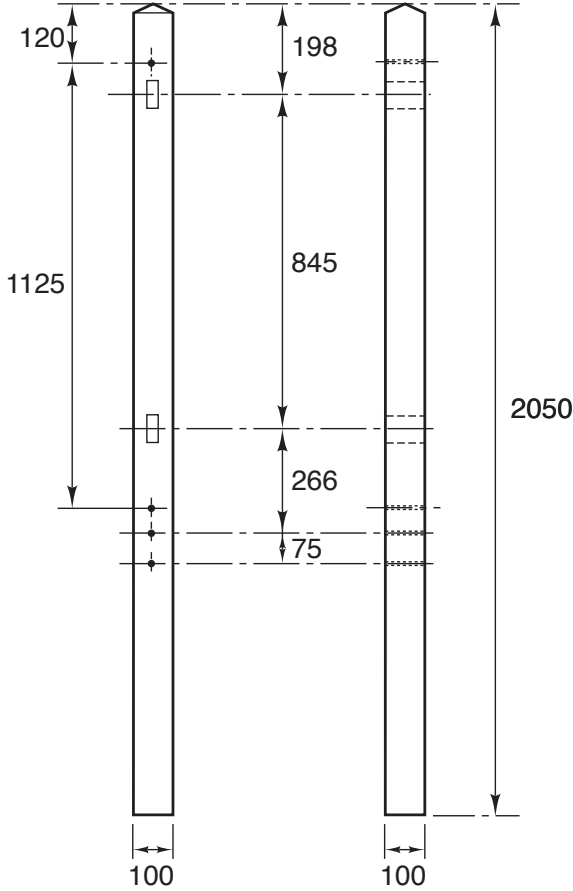
MORTICED POSTS - PYRAMID TOP 100 X 100



09ML4 0.9m FENCE



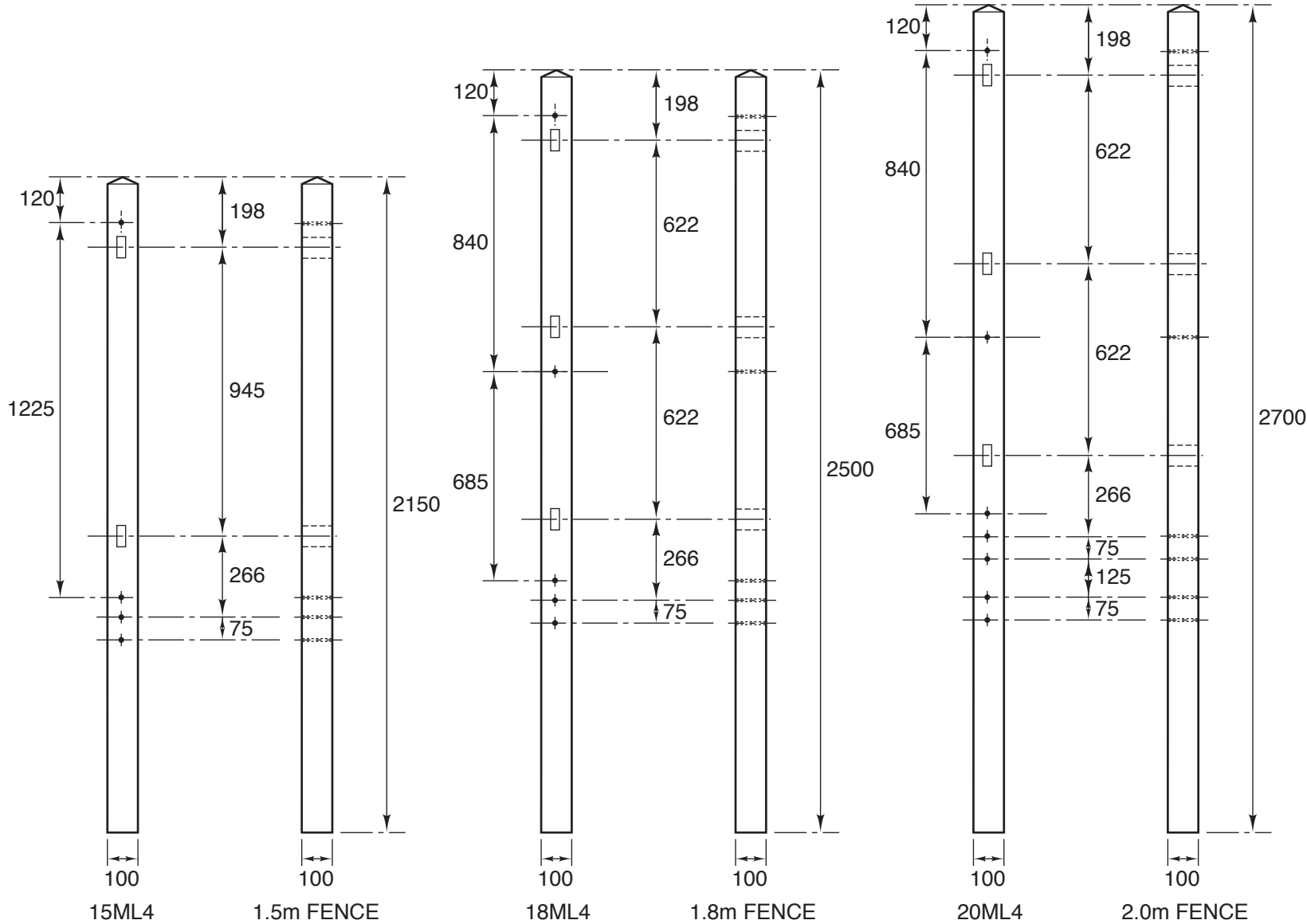
12ML4 1.2m FENCE



14ML4 1.4m FENCE

CLOSE BOARD FENCING

MORTICED POSTS - PYRAMID TOP 100 X 100



CLOSE BOARD OR PALISADE FENCING

LIGHTWEIGHT RECESSED TYPE POSTS AND GRAVEL BOARDS



All measurements in mm

POSTS 600 mm IN GROUND

Code	Name	Height	Width	Depth
09RGL	0.9m fence post	1450	125 - 100	110
105RGL	1.05m fence post	1600	125 - 100	110
12RGL	1.2m fence post	1750	125 - 100	110

POSTS 675 mm IN GROUND

Code	Name	Height	Width	Depth
15RGL	1.5m fence post	2050	125 - 100	110
18RGL	1.8m fence post	2500	125 - 100	110

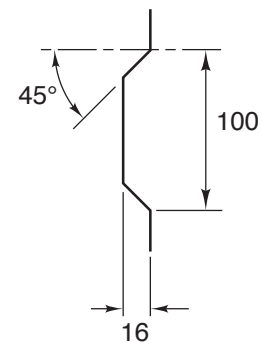
GRAVEL BOARDS

Code	Name	Height	Width	Depth
188GR	gravel board	1885	150	50
230GR	gravel board	2300	150	50
260GR	gravel board	2600	150	50
288GR	gravel board	2885	150	50
300GR	gravel board	3000	150	50

ARRIS RAILS: Recesses for arris rails as shown. 2 No. 12mm holes through each recess.

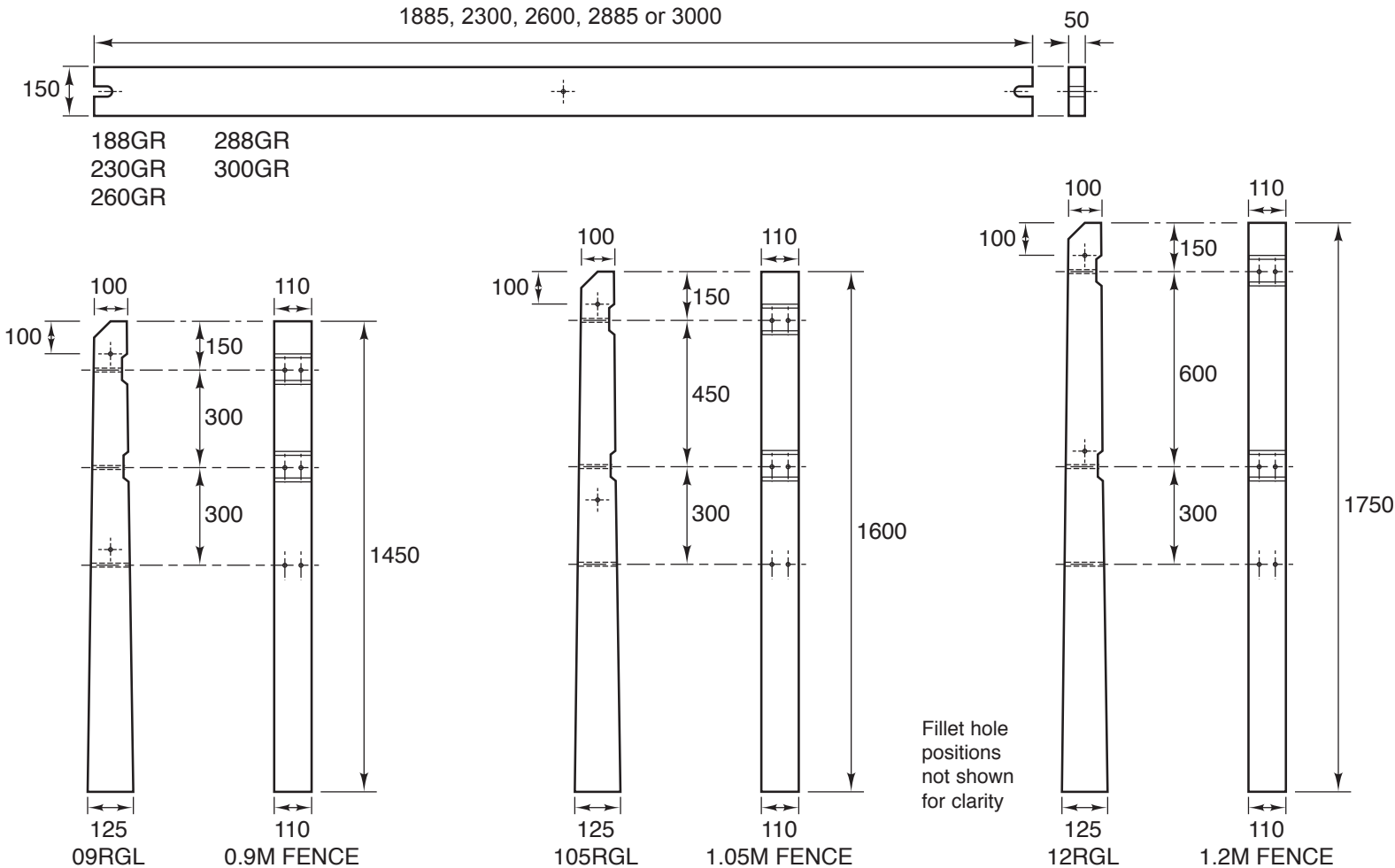
GRAVEL BOARDS: 2 No. 12mm holes for gravel boards.

FILLETS: 12mm holes provided for attachment of fillets.



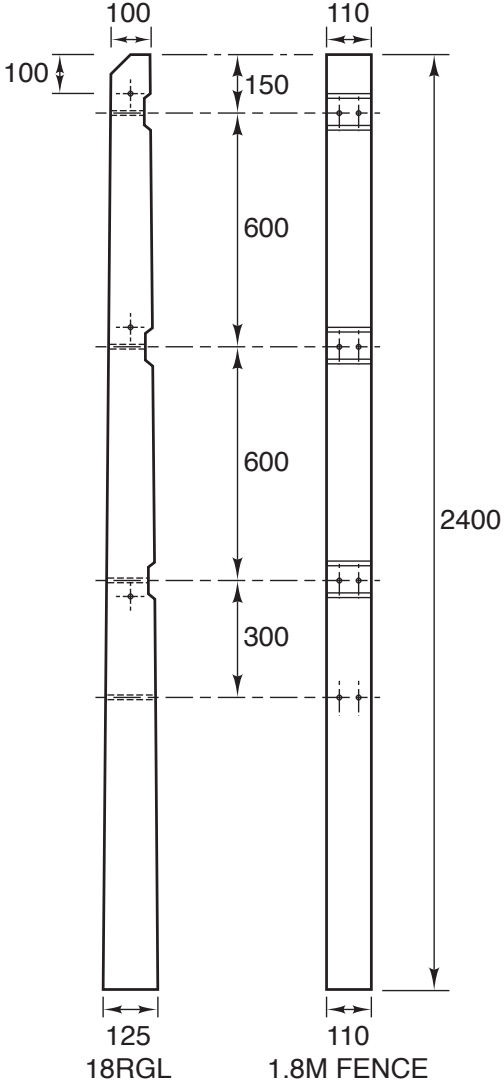
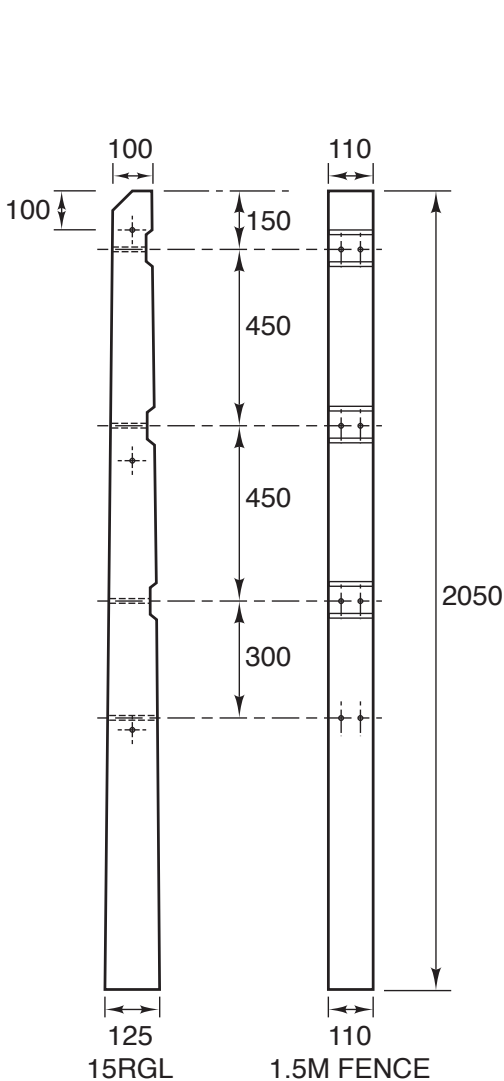
CLOSE BOARD OR PALISADE FENCING

LIGHTWEIGHT RECESSED TYPE POSTS AND GRAVEL BOARDS



CLOSE BOARD OR PALISADE FENCING

LIGHTWEIGHT RECESSED TYPE POSTS AND GRAVEL BOARDS



Fillet hole positions not shown for clarity

CLOSE BOARD OR PALISADE FENCING



BS TYPE RECESSED POSTS AND GRAVEL BOARDS

All measurements in mm

POSTS 750 mm IN GROUND

Code	Name	Height	Width	Depth
20RG	2.0m fence post	2700	140 - 100	115
24RG	2.4m fence post	3100	140 - 100	115

GRAVEL BOARDS

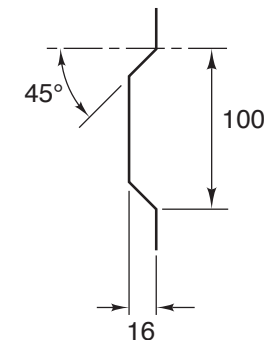
Code	Name	Height	Width	Depth
188GR	gravel board	1885	150	50
230GR	gravel board	2300	150	50
260GR	gravel board	2600	150	50
288GR	gravel board	2885	150	50
300GR	gravel board	3000	150	50

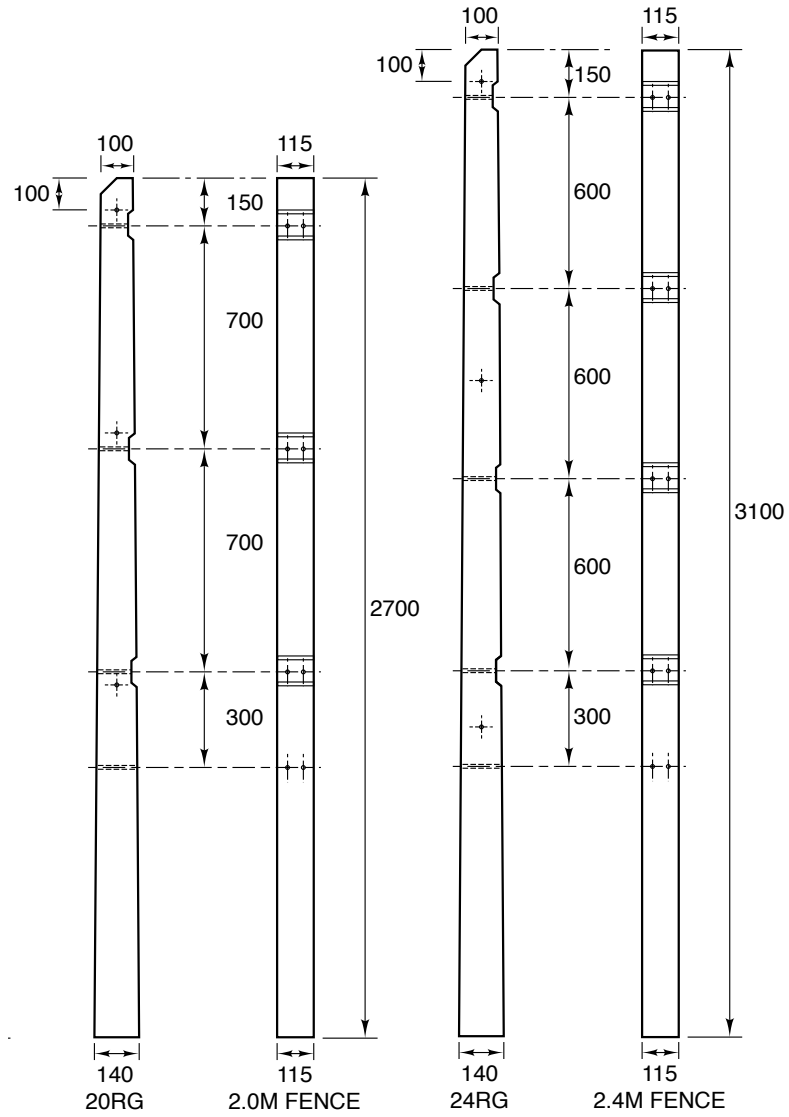
ARRIS RAILS: Recesses for arris rails as shown above. 2 No. 12mm holes through each recess.

GRAVEL BOARDS: 2 No. 12mm holes for gravel boards.

FILLETS: 12mm holes provided for attachment of fillets.

CORNER POSTS: All corner posts 125 x 125 section. Recesses and gravel board holes repeated at right angles.





CONCRETE POST AND PANEL



All measurements in mm

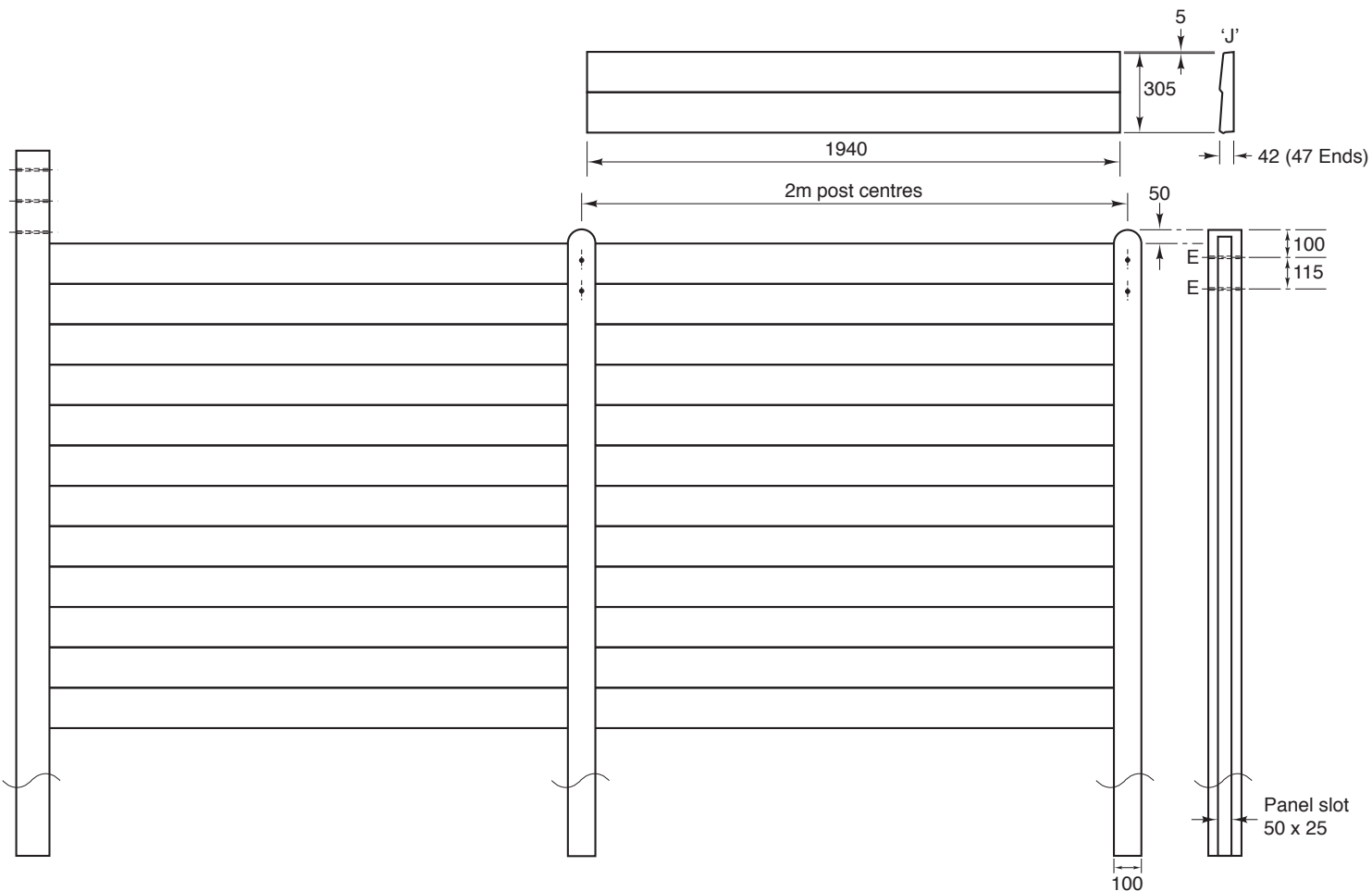
Code	Name	Height	Width	Depth
15PH	Intermediate post	1500	125	100
18PH	Intermediate post	1800	125	100
21PH	Intermediate post	2100	125	100
24PH	Intermediate post	2400	125	100
27PH	Intermediate post	2700	125	100
30PH	Intermediate post	3000	125	100
33PH	Intermediate post	3300	125	100
36PH	Intermediate post	3600	125	100
15PC	Corner post	1500	125	125
18PC	Corner post	1800	125	125
21PC	Corner post	2100	125	125
24PC	Corner post	2400	125	125
27PC	Corner post	2700	125	125
30PC	Corner post	3000	125	125
33PC	Corner post	3300	150	150
36PC	Corner post	3600	150	150
194P	Panel	1940	300	47
194PD	Panel with durite stone applied to back face	1940	300	47

All panels have 5mm overlap and concealed joints 'J'

All panel posts have 2 No. 12mm Dia. holes at E 115mm centres for barbed wire extension brackets

All measurements in mm

Fence height in metres	0.9	1.2	1.5	1.8	2.1	2.4
No. of panels per bay	3	4	5	6	7	8



SLOTTED POSTS - ROUND TOP

FOR TIMBER PANELS



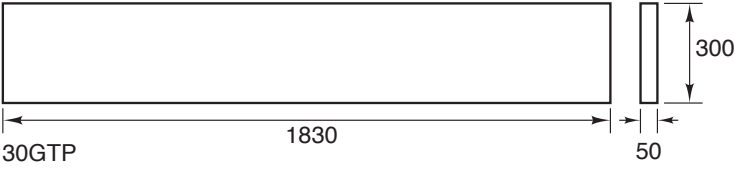
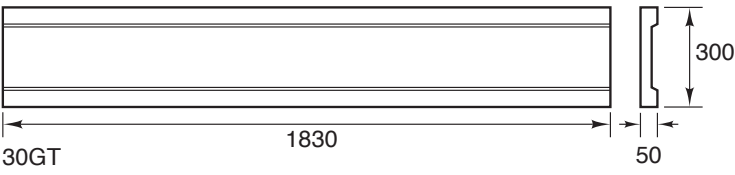
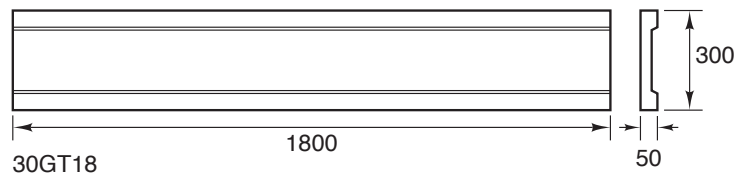
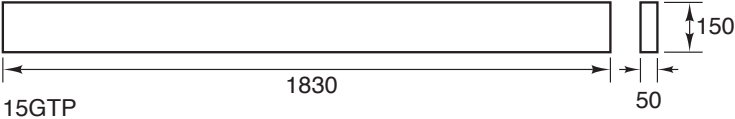
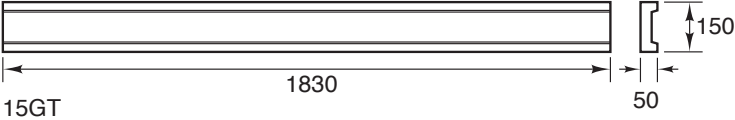
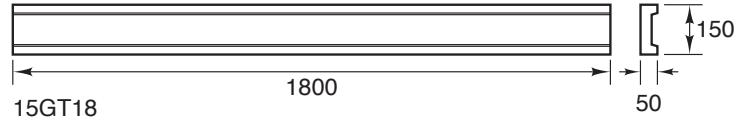
All measurements in mm

Code	Name	Height	Width	Depth	Code	Name	Height	Width	Depth
15P	Intermediate post	1500	100	85	15PC	Corner post	1500	125	125
18P	Intermediate post	1800	100	85	18PC	Corner post	1800	125	125
21P	Intermediate post	2100	100	85	21PC	Corner post	2100	125	125
24P	Intermediate post	2400	100	85	24PC	Corner post	2400	125	125
27P	Intermediate post	2700	100	85	27PC	Corner post	2700	125	125
15PH	Intermediate post	1500	125	100	30PC	Corner post	3000	125	125
18PH	Intermediate post	1800	125	100	33PC	Corner post	3300	125	125
21PH	Intermediate post	2100	125	100	36PC	Corner post	3600	125	125
24PH	Intermediate post	2400	125	100					
27PH	Intermediate post	2700	125	100	15GT18	Gravel board recessed	1800	150	50
30PH	Intermediate post	3000	125	100	15GT	Gravel board recessed	1830	150	50
33PH	Intermediate post	3300	125	100	15GTP	Gravel board solid	1830	150	50
36PH	Intermediate post	3600	125	100	30GT18	Gravel board recessed	1800	300	50
					30GT	Gravel board recessed	1830	300	50
15PE	End post	1500	100	85	30GTP	Gravel board solid	1830	300	50
18PE	End post	1800	100	85	30GTR	Gravel board rock faced	1830	300	50
21PE	End post	2100	100	85					
24PE	End post	2400	100	85					
27PE	End post	2700	100	85					

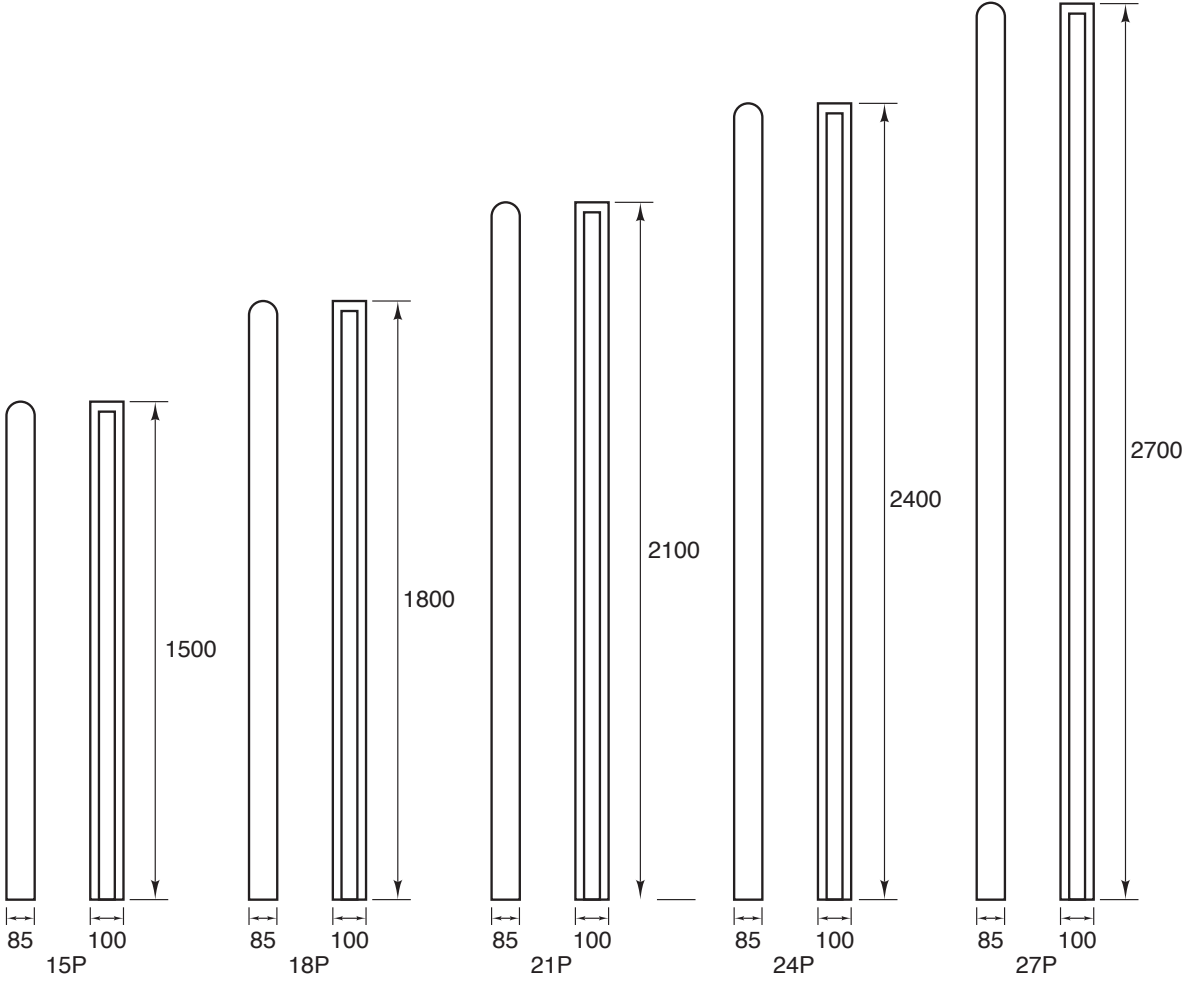
All posts have slots 56 - 50 x 25 deep.

SLOTTED POSTS - ROUND TOP

FOR TIMBER PANELS

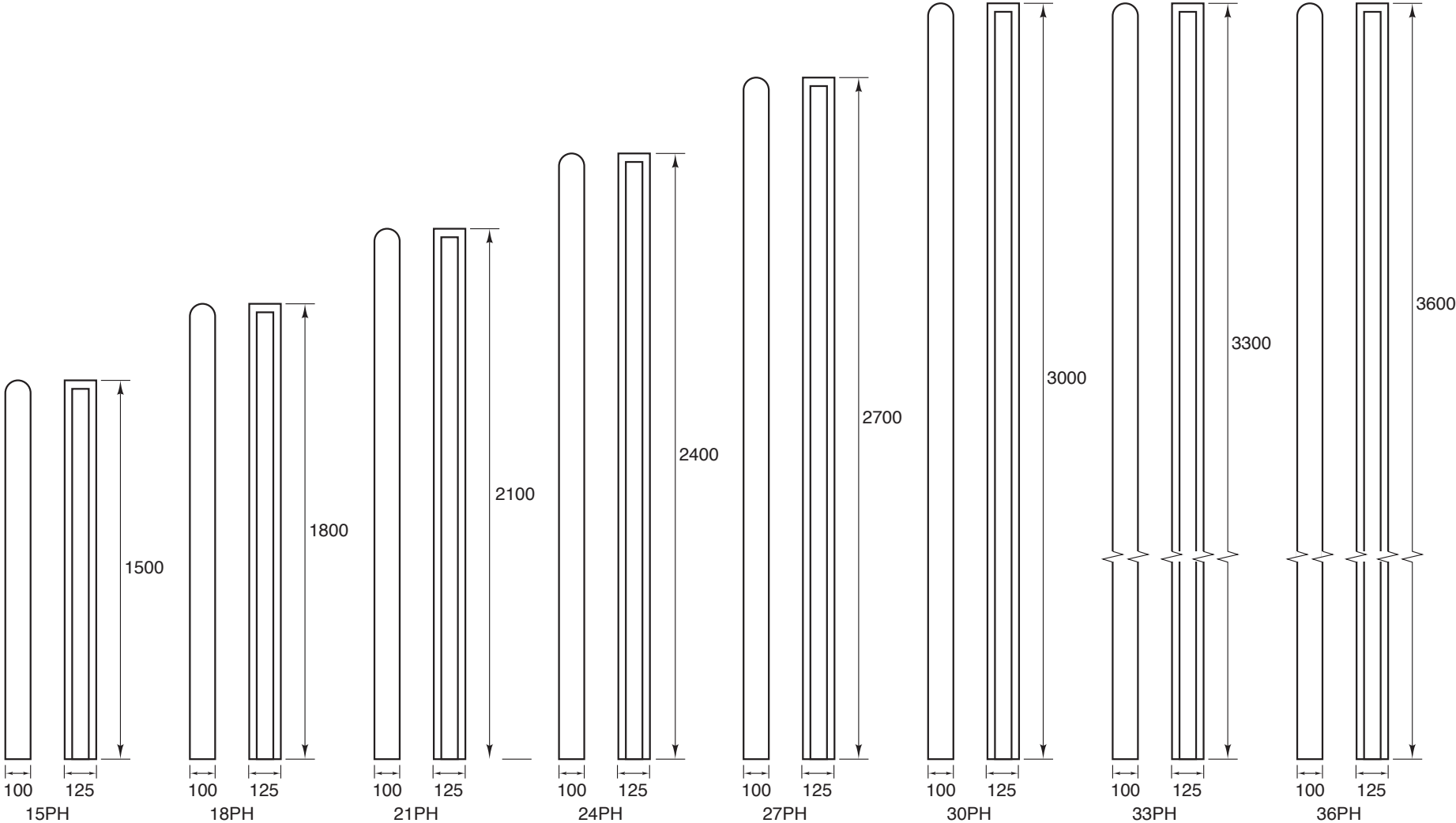


30GTR Gravel board rock faced 1830 x 300 x 50 not shown



SLOTTED POSTS - ROUND TOP

FOR TIMBER PANELS

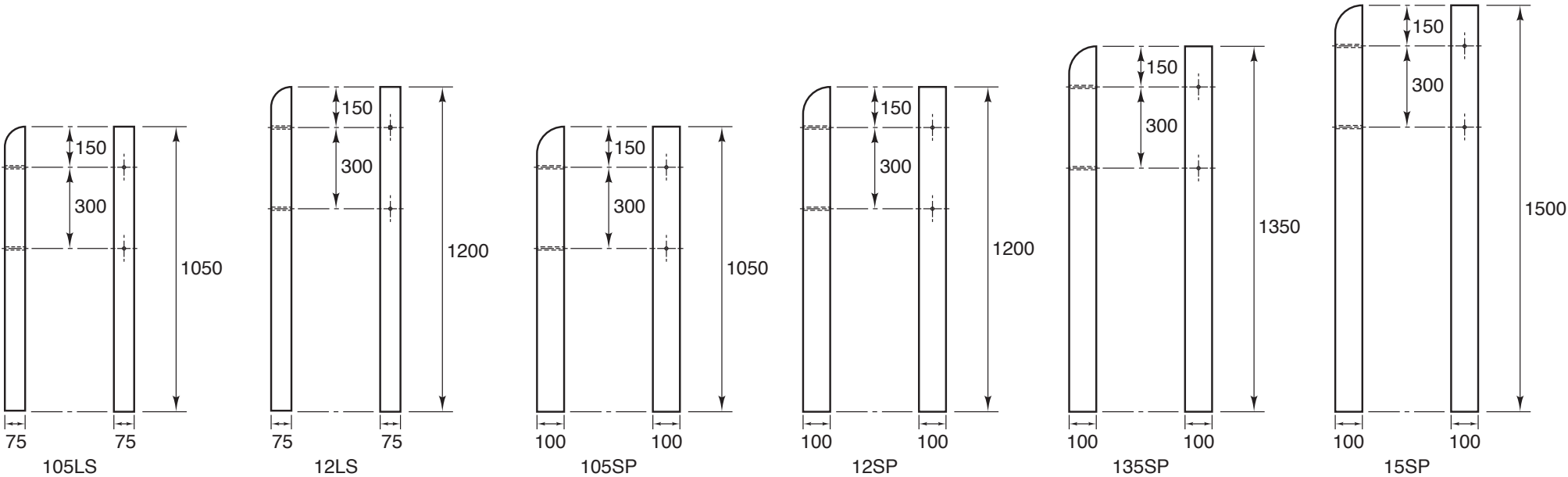


SPURS

All measurements in mm

Code	Name	Height	Width	Depth
105LS	Spur	1050	75	75
12LS	Spur	1200	75	75
105SP	Spur	1050	100	100
12SP	Spur	1200	100	100
135SP	Spur	1350	100	100
15SP	Spur	1500	100	100

Holes 12mm diameter



SLOTTED POSTS - PYRAMID TOP

FOR TIMBER PANELS



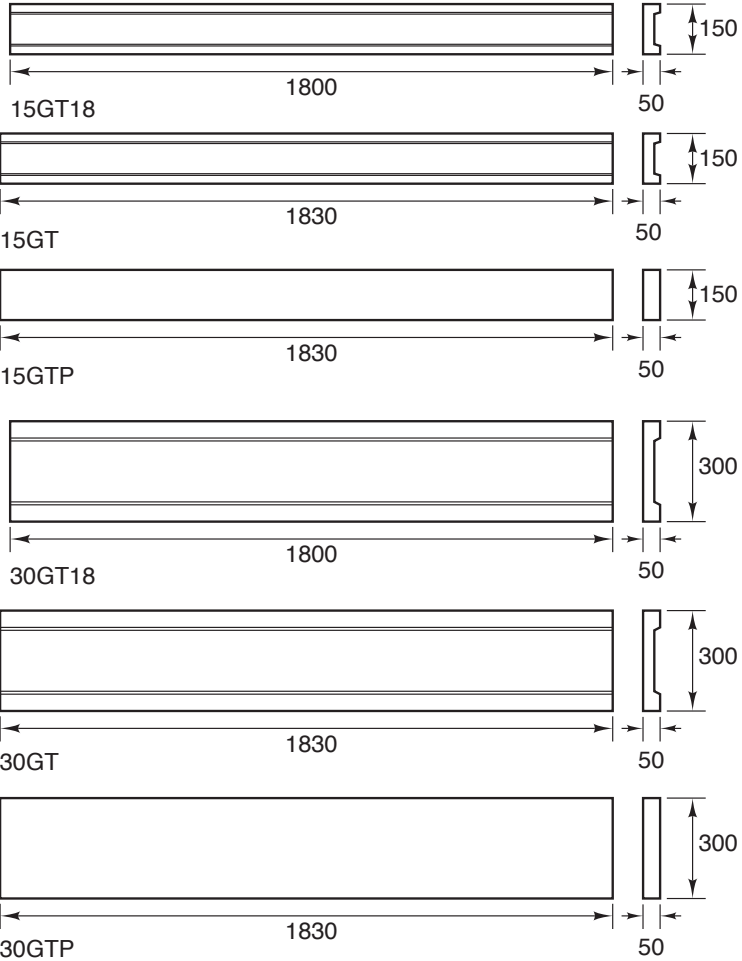
All measurements in mm

Code	Name	Height	Width	Depth
15P4	Intermediate post	1500	100	85
21P4	Intermediate post	2100	100	85
24P4	Intermediate post	2400	100	85
27P4	Intermediate post	2700	100	85
18P4	Intermediate post	1800	100	85
15P4E	End post	1500	100	85
21P4E	End post	2100	100	85
24P4E	End post	2400	100	85
27P4E	End post	2700	100	85
15P4C	Corner post	1500	125	125
18P4C	Corner post	1800	125	125
21P4C	Corner post	2100	125	125
24P4C	Corner post	2400	125	125
27P4C	Corner post	2700	125	125
15GT18	Gravel board recessed	1800	150	50
15GT	Gravel board recessed	1830	150	50
15GTP	Gravel board solid	1830	150	50
30GT18	Gravel board recessed	1800	300	50
30GT	Gravel board recessed	1830	300	50
30GTP	Gravel board solid	1830	300	50
30GTR	Gravel board rock faced	1830	300	50

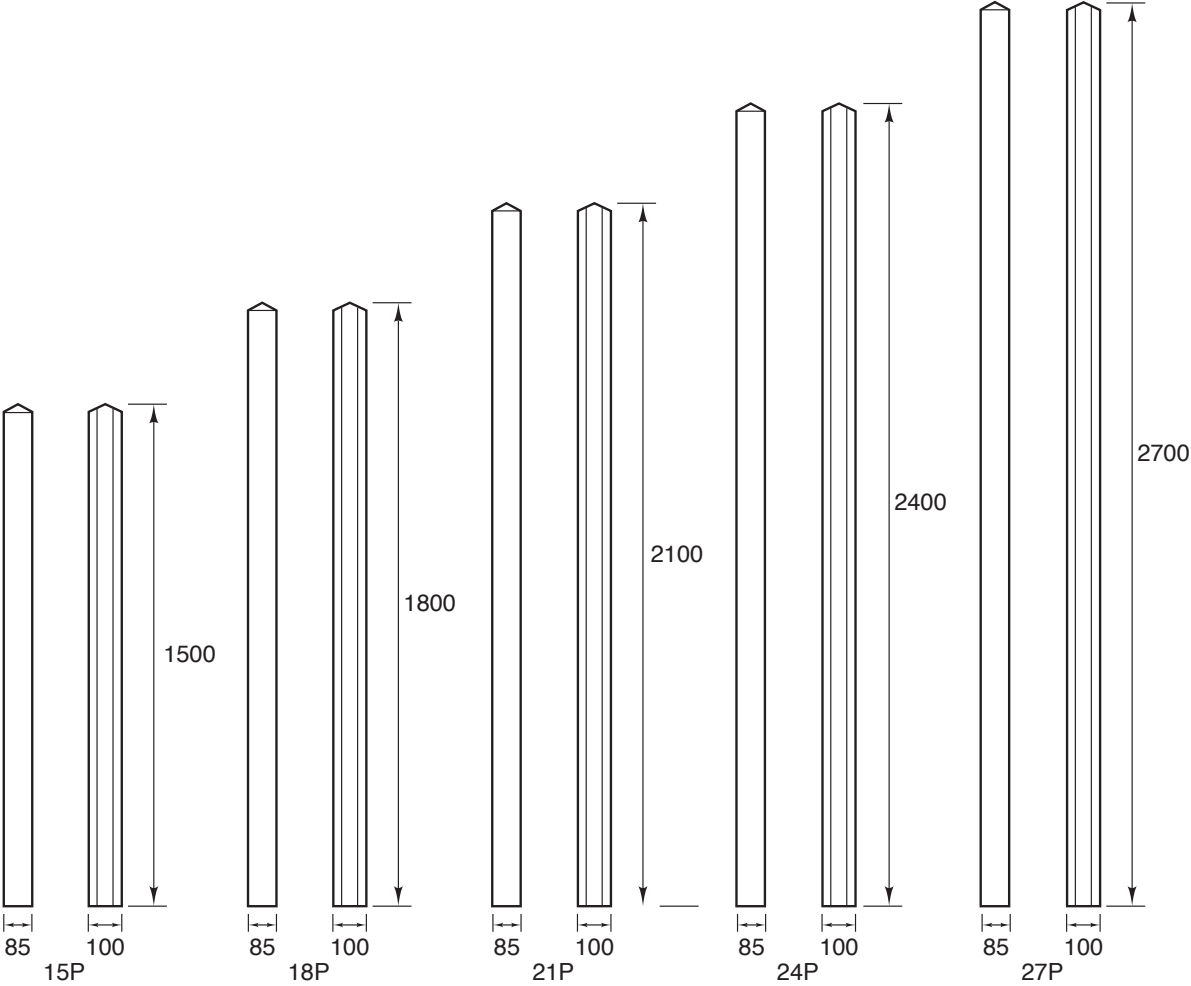
All posts have slots 56 - 50 x 25 deep.

SLOTTED POSTS - PYRAMID TOP

FOR TIMBER PANELS



30GTR Gravel board rock faced 1830 x 300 x 50 not shown

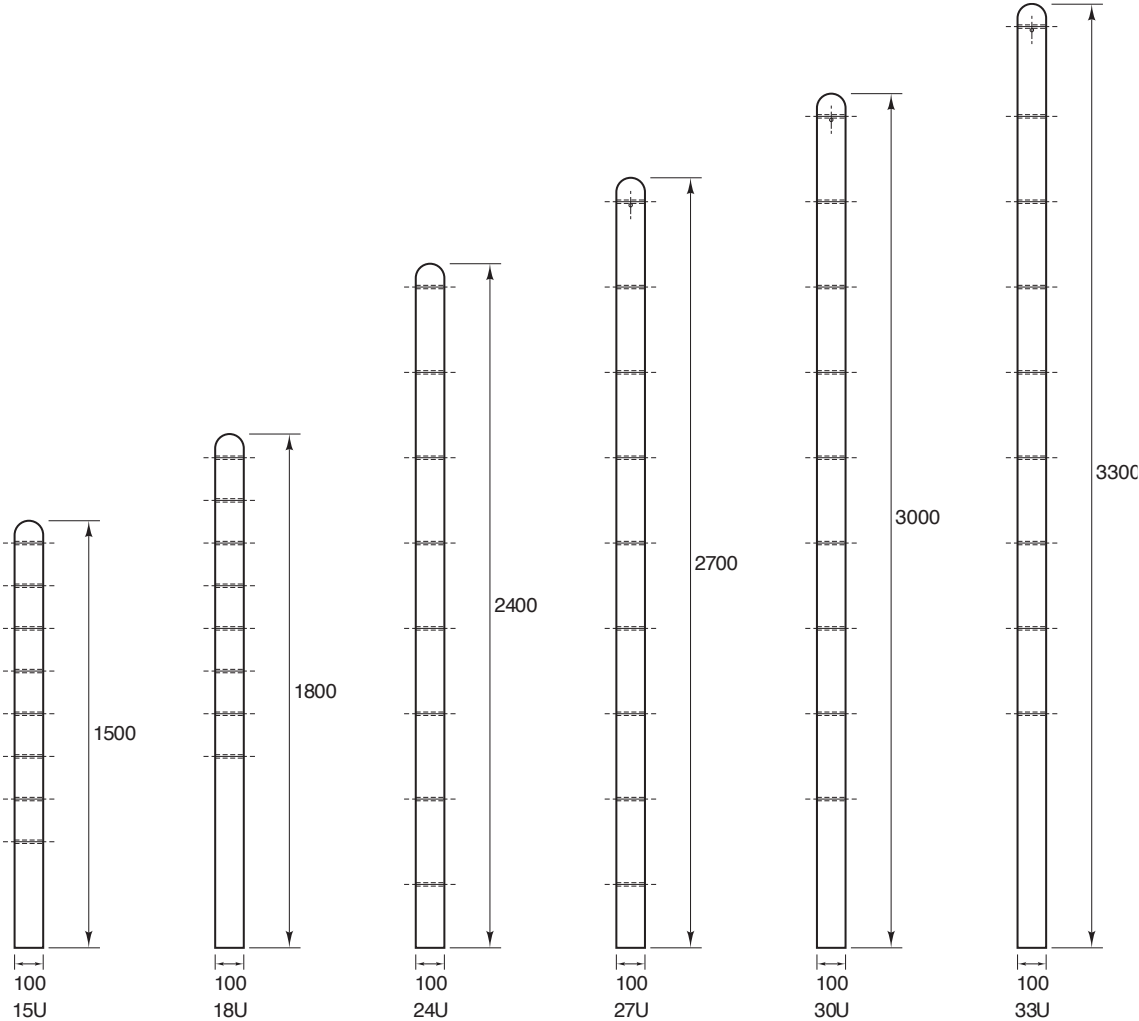


UNIVERSAL POSTS



All measurements in mm

Code	Height	Width	Depth
15U	1500	100	100
18U	1800	100	100
24U	2400	100	100
27U	2700	100	100
30U	3000	100	100
33U	3300	100	100



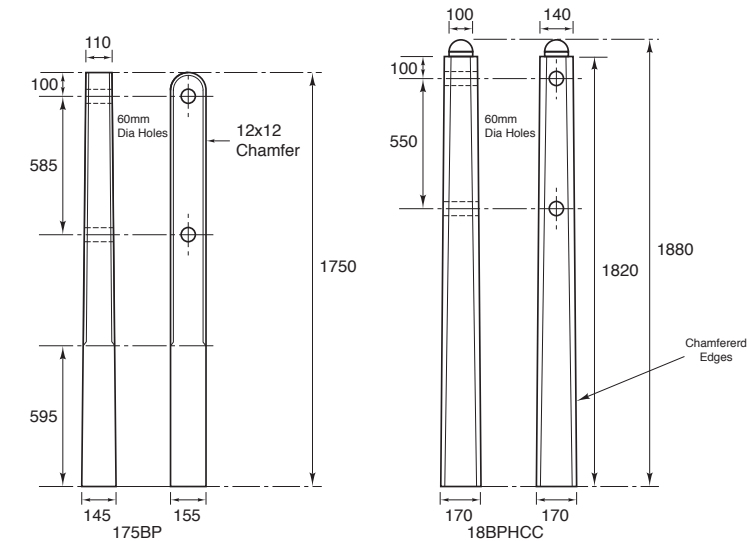
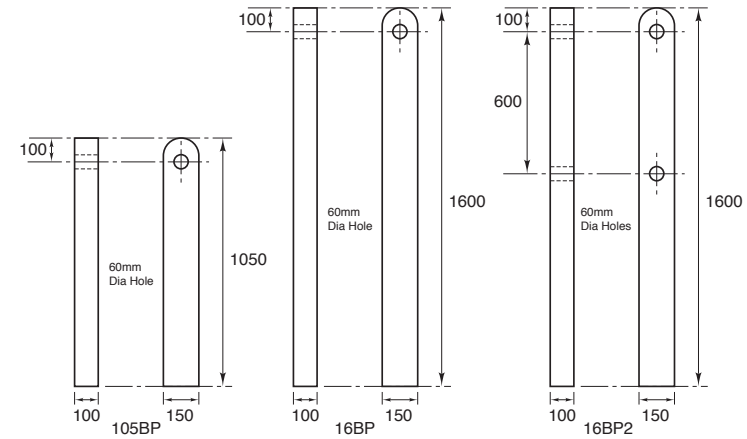
HOLING: 12mm holes at 75 mm from top then at 300mm.

BARREL POSTS

FOR TUBULAR STEEL RAIL

All measurements in mm

Code	Name	Height	Width	Depth	No. of holes
105BP	Post	1050	150	100	1 Hole
16BP	Post	1600	150	100	1 Hole
16BP2	Post	1600	150	100	2 Hole
175BP	Post	1750	155	145 - 110	2 Hole
18BPHCC	Post	1880	170 - 140	170 - 100	2 Hole





Surrey: Allen Concrete, 36 - 38 Willow Lane, Mitcham, Surrey CR4 4NA **T:** 020 8687 2222

Northamptonshire: Allen Concrete, 35 - 37 Rixon Road, Wellingborough, Northamptonshire NN8 4BA **T:** 01933 276 848

E: sales@allenconcrete.co.uk

www.allenconcrete.co.uk